

OVERSEAS



2023

VITRIFRIGO

MADE IN ITALY





FREEZE YOUR MOMENTS

RENDI UNICO OGNI MOMENTO SPECIALE

INNOVAZIONE, DESIGN E **ECOSOSTENIBILITÀ**:
è la Mission di Vitrifrigo e fa parte di una più ampia
strategia aziendale volta al profondo rispetto
degli obblighi ambientali.

Abbiamo dato vita ad una vera e propria politica
per continuare il nostro impegno a operare come
società responsabile, coinvolgendo direttamente
o indirettamente tutti gli aspetti delle attività
aziendali: progettazione, ingegneria, produzione,
manutenzione dei prodotti o distribuzione delle
loro parti.

In linea con questa politica, Vitrifrigo ha investito
risorse multiple per rinnovare le serie dei prodotti
integrando soluzioni a basso GWP e Gas Naturale.

MAKE EVERY SPECIAL MOMENT UNIQUE

INNOVATION, DESIGN AND **ECO-SUSTAINABILITY**:
This is the fundamental core of Vitrifrigo and is part
of a broader corporate strategy aimed at
respecting environmental obligations.

We have developed a policy to continue our
commitment to operate as a responsible
company. This covers every aspect of the
company's activities, whether directly or indirectly
involved in the design, engineering, manufacturing,
maintenance of our products, or distribution
of their parts.

In line with this policy, Vitrifrigo has invested
multiple resources to renew the ranges of products
with low GWP and Natural Gas solutions.

OVERSEAS



Vitrifigo has as its main objective, designing and producing refrigerators and freezers that can guarantee:

- energy and environmental saving;
- implementation of new technologies;
- efficiency, safety and durability;
- aesthetic and functional design;
- use of innovative materials.

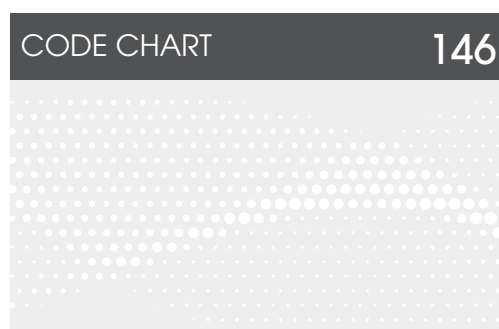
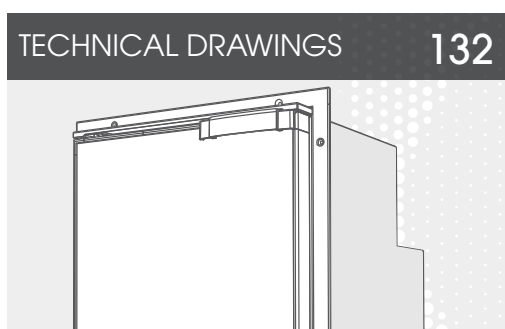
Our products are, for these reasons, in constant evolution.

**STAY
TUNED**



Vitrifigo has chosen to keep releasing its paper catalogues, in full awareness that the corresponding digital versions in pdf format, freely downloadable, will always contain in any case all those updates that, for obvious reasons, cannot be added to the print version.

We therefore invite you to stay always updated by downloading them using this QR code.



Vitrifrigo ha come obiettivo principale la progettazione e la produzione di frigoriferi e freezer che possano essere a garanzia di:

- risparmio energetico e ambientale;
- implementazione delle nuove tecnologie;
- efficienza, sicurezza e durabilità;
- design estetico e funzionale;
- utilizzo di materiali innovativi.

I prodotti Vitrifrigo sono, per tali ragioni, in continua evoluzione.

**STAY
TUNED**



Vitrifrigo ha scelto di continuare a rilasciare i propri cataloghi anche nel formato cartaceo, nella piena consapevolezza che le corrispondenti versioni digitali in formato pdf, liberamente scaricabili, contengono sempre e comunque tutti quegli aggiornamenti che, per ovi motivi, non sono immediatamente apportabili anche sulla carta stampata. Vi invitiamo, quindi, a restare sempre aggiornati, effettuandone il download, mediante questo QR code.

All OCX2 series products are made of the best stainless steel quality and are equipped with the new Steelock system for opening-closing and ventilation in periods of non-use. These are reliable high-performance products, designed to face any journey or situation in conditions of absolute comfort, allowing you to eat and drink just like being at home. Even better. The DRW series

offers three all in one products: you can set the desired temperature (fridge or freezer) anytime, using a digital thermostat with the latest generation touch screen. Wide drawers, with cushioned sliding, in totally no-frost mode. The DW OCX2 series allows precise temperature regulation by means of a digital thermostat, offering drawer solutions for any refrigeration need: fridge only - fridge-freezer and with internal icemaker. The Steel OCX2 series, equipped with a mechanical thermostat, offers the same performance


and versatility as the Chromelock series, in stainless steel finishing. The stainless steel range is completed by the two new CFR, all-in-one refrigerator-freezers and the new DW DRINKS series (with electronic thermostat) without freezer compartment, for beverage storage. At the end, the Icemaker series - both in the OCX2 version with 230Vac power supply and ice production equal to 8kg./24h and in the 12Vdc power supply version with production of ice equal to 4kg./24h.

DRW-ALL IN ONE

STAINLESS STEEL DRAWERS OCX2

STAINLESS STEEL OCX2 BUILT-IN COOLING UNIT



	DRW 360A	DRW 180A	DRW 70A	DW360 OCX2	DW250 OCX2	C180 OCX2	DW210 OCX2	DW180 OCX2	DW100 OCX2	DW70 OCX2	DW35 OCX2	DP 2600iX OCX2	C115 iX OCX2	C90 iX OCX2	DW90 OCX2 RFX	C85 iX OCX2	C62 iX OCX2
Total volume Capacità totale (lt.)	157+150	150	80	157+144	157+75	157	78+104	80+64	95	75	35	230	115	90	90	85	62
Freezer compartment Vano freezer (lt.)												60	17,1	9,8	9,8	12,8	4,5
Fridge+freezer Frigo+freezer	ALL-IN ONE	ALL-IN ONE	ALL-IN ONE	•	•		•	•	•	•	•	•	•	•	•	•	•
Fridge Frigo					•	•	•	•	•	•	•		Optional			Optional	
Weight Peso (kg.)	100	55	38	102*	67	41	61*	56*	32	33*	25	63	32	27	30	29	22
Internal icemaker Icemaker interno				•			•	•			•						
Dimensions Dimensioni (mm.)	 A = 682 B = 585 H = 1740	666 590 874	666 590 467	682 591 1697	682 584 1321	674 561 866	740 630 880	666 590 866	583 646 541	666 592 460	498 727 291	631 602 1354	588 558 780	533 543 635	533 543 635	548 462 805	513 540 545
Drawer opening Apertura a cassetto	•	•	•	•	•		•	•	•	•	•				•		
Front opening Apertura frontale	•			•	•	•						•	•	•		•	•
Stainless steel finishing Finitura in acciaio inox	•	•	•	•	•	•	•	•	•	•	•	•	•	•	•	•	•
Compressor Compressore	•	•	•	•	•	•	•	•	•	•	•	•	•	•	•	•	•
Holding plate version Evaporatore a accumulo													C115iX OCX2			C85iX OCX2	
Built-in cooling unit Unità refrigerante interna	•	•		•	•	•	•	•				•	•	•	•	•	•
Remote cooling unit Unità refrigerante esterna			•						•	•	•						
Standard power supply Alimentazione standard	12/24Vdc																
Optional power supply Alimentazione optional	12/24Vdc 100-240Vac 50/60Hz																
Nominal consumption Consumo nominale (W)	48 + 96	96	96	45+61**	45+38**	45	45**	45**	40**	38**	31**	65	45	45	45	45	40
Digital thermostat Termostato digitale	•	•	•	•	•	•	•	•	•	•	•						
Mechanical thermostat Termostato meccanico												•	•	•	•	•	•
Internal Led light Luce interna a Led	•	•	•	•	•	•	•	•	•	•	•	•	•	•	•	•	•
Reversible door Porta reversibile	•			•	•	•						•	•	•		•	•
Vent position Posizione di ventilazione	•	•	•	•	•	•	•	•	•	•	•	•	•	•	•	•	•
Page nr. - Pagina n.	18	19	19	24	24	25	25	26	26	27	27	32	32	32	33	33	33

* RFX version weight.
Peso in versione RFX.

** RFX version nominal consumption.
Consumo nominale in versione RFX.

For further versions (BTX, DTX, IM etc.) please see product page.
Per le altre versioni (DTX, BTX, IM ecc), consultare la pagina prodotto.

I prodotti della gamma OCX2 sono realizzati con acciaio Inox della migliore qualità e dotate del nuovo sistema. Steelock per apertura-chiusura e ventilazione nei periodi di non utilizzo. Si tratta di prodotti affidabili ad alte prestazioni, concepiti per affrontare qualsiasi viaggio o situazione in condizioni di assoluto comfort, consentendo di mangiare e bere proprio come a casa propria.

Anzi, meglio.

La serie DRW offre tre prodotti all in one, in cui impostare a piacimento la temperatura

desiderata (frigo o freezer), mediante un termostato digitale con touch screen di ultima generazione. Cassetti ampi, a scorrimento ammortizzato, in modalità totalmente no-frost. La serie DW OCX2, consente la regolazione precisa della temperatura mediante termostato digitale, offrendo soluzioni a cassetto per qualsiasi esigenza di refrigerazione: solo frigo - frigo-freezer e con icemaker interno.

La serie Steel OCX2, dotata di termostato meccanico, offre le stesse prestazioni e la

medesima versatilità della serie Chromelock, in finitura acciaio inox. Completano la gamma inox i due nuovi CFR, frigoriferi-freezer all-in-one e la nuova serie DW DRINKS (con termostato elettronico) senza cella freezer, per lo storage di bevande. Chiude la serie degli Icemaker - sia in versione OCX2 con alimentazione a 230Vac e produzione di ghiaccio pari a 8kg./24h che in versione ad alimentazione a 12Vdc con produzione di ghiaccio pari a 4kg./24h.

STAINLESS STEEL OCX2 BUILT-IN COOLING UNIT				STAINLESS STEEL OCX2 REMOTE COOLING UNIT				DW DRINKS			CFR		ICEMAKER			
													230V		12V	



DW62 OCX2 RFX	C60 iX OCX2	C51 iX OCX2	DW51 OCX2 RFX	C130 LX OCX2	C75 LX OCX2	DW75 OCX2 RFX	C42 LX OCX2	DW42 OCX2 RFX	DW51 OCX2 DRINKS	DW62 OCX2 DRINKS	DW90 OCX2 DRINKS	CFR CL OCX2	CFR XR OCX2	IM XT / XR OCX2 ***	IM CL OCX2 ***	IM XT ***	IM CL ***	
62	60	51	51	130	75	75	42	42	51	62	90	24	24	24	24	24	24	
4,5	10,2	3,6	3,6	17,1	10,2	10,2	3,6											
•	•	•	•	•	•	•	•					ALL-IN ONE	ALL-IN ONE	ICE PROD. 8,0 kg./24h	ICE PROD. 8,0 kg./24h	ICE PROD. 4,0 kg./24h	ICE PROD. 4,0 kg./24h	
	Optional			Optional	Optional	Optional	Optional	•	•	•	•							
27	24	20	23	33	25	28	18	22	23	27	30	24	15	25 / 27	23	28	26	
513 540 545	533 456 635	443 515 545	443 515 545	588 558 780	533 456 635	533 456 635	443 380 545	443 380 545	443 515 545	513 540 561	533 580 652	416 435 702	416 435 546	416 435/555 546	416 435 702	387 516 485	387 370 641	
•			•			•		•	•	•	•							
	•	•		•	•		•					•	•	•	•	•	•	
•	•	•	•	•	•	•	•	•	•	•	•	•	•	•	•	•	•	
•	•	•	•	•	•	•	•	•	•	•	•	•	•	•	•	•	•	
	C60iAX OCX2			C130LAX OCX2	C75LAX OCX2													
•	•	•	•						•	•	•	•		• (XT)	•	•	•	
				•	•	•	•	•					•	• (XR)				
12/24Vdc																12Vdc	12Vdc	
12/24Vdc 100-240Vac 50/60Hz													12/24Vdc 100-240Vac 50/60Hz		230Vac	230Vac		
40	40	40	40	45	40	40	31	31	50	50	50	60	60	180	180	180	180	
•	•	•	•	•	•	•	•	•	•	•	•	•	•	•	•	•	•	
•	•	•	•	•	•	•	•	•	•	•	•	•	•	•	•	•	•	
	•	•		•	•	•						•	•	•	•	•	•	
•	•	•	•	•	•	•	•	•	•	•	•	•	•	•	•	•	•	
34	34	34	35	35	36	36	37	37	41	41	41	43	43	48	48	49	49	

*** Available as Hydro version (connection to water system) or Refill mode (with internal water tank)
Disponibili in versione Hydro (connessione alla rete idrica) o in versione Refill (con contenitore interno)

CHROMELOCK is the new series of refrigerators and freezers. The door has been redesigned, both from an aesthetic and a functional point of view.

With the same dimensions as the previous "Airlock" version, the new door is lighter,

sturdier and it can be customized quickly and easily using finishing panels with a thickness from 0.8 to 3.0 mm.

Available in anti-fingerprint and anti-scratch matt black finish with soft touch effect, or in glossy gray laminate with pearl effect.


The new CHROMELOCK handle, metallized and tested for over 150,000 opening and closing cycles, incorporates the "vent

position" system for keeping it in a slightly open position when not in use.

The series is dedicated to any need and to any type of boat: fridge-freezer, fridge only, with door or drawer opening, also choosing whether to have an internal or remote refrigerating unit up to 1.5 m..

CHROMELOCK - BUILT-IN COOLING UNIT SERIES



	DP2600i CHR	DP150i CHR	C115i CHR	C90i CHR	C90DW CHR	C85i CHR	C62i CHR	C60i CHR
Total volume - Capacità totale (lt.)	230	150	115	90	90	85	62	60
Freezer compartment - Vano freezer (lt.)	60	30	17,1	9,1	9,1	12,8	4,5	10,2
Fridge+freezer - Frigo+freezer	•	•	•	•	•	•	•	•
Fridge - Frigo			Optional			Optional		Optional
Weight - Peso (kg.)	58,5	40,6	21,2	20,6	23,6	23,3	16,8	18,6
Dimensions - Dimensioni (mm.)	 A = 631 B = 602 H = 1354	525 572 1103	525 560 766	470 557 622	470 559 622	485 469 791	450 559 530	470 457 622
Drawer opening - Apertura a cassetto					•			
Front opening - Apertura frontale	•	•	•	•		•	•	•
Black finishing door - Porta colore nero	•	•	•	•	•	•	•	•
Grey finishing door - Porta colore grey	•	•	•	•	•	•	•	•
Compressor - Compressore	•	•	•	•	•	•	•	•
Holding plate version - Evaporatore a accumulo			C115iA CHR			C85iA CHR		C60iA CHR
Built-in cooling unit - Unità refrigerante interna	•	•	•	•	•	•	•	•
Remote cooling unit - Unità refrigerante esterna								
Standard power supply - Alimentazione standard	12/24 Vdc							
Optional power supply - Alimentazione optional	12/24 Vdc 100-240 Vac 50/60Hz							
Nominal consumption - Consumo nominale (W)	65	65	45	45	45	45	40	40
Digital thermostat - Termostato digitale								
Mechanical thermostat - Termostato meccanico	•	•	•	•	•	•	•	•
Internal Led light - Luce interna a Led	•	•	•	•	•	•	•	•
Reversible door - Porta reversibile	•	•	•	•		•	•	•
Interchangeable panel - Pannello intercambiabile	•	•	•	•	•	•	•	•
Vent position - Posizione di ventilazione	•	•	•	•	•	•	•	•
Page nr. - Pagina n.	58	58	59	59	59	60	60	60

CHROMELOCK è la nuova serie di frigoriferi e freezer in cui è stata ridisegnata l'anta, sia da un punto di vista estetico che da un punto di vista funzionale.

Con le stesse dimensioni della precedente versione "Airlock", la nuova porta è ancora più leggera e robusta ed è customizzabile in maniera semplice e veloce mediante pannelli di finitura con spessore da 0,8 a 3,0 mm.

Disponibile in finitura nera opaca anti impronta e antigraffio con effetto soft touch, oppure in laminato grigio lucido ad effetto perlato.

La nuova maniglia CHROMELOCK, metallizzata e testata per oltre 150.000 cicli di apertura e chiusura, incorpora il sistema "vent position" per il mantenimento in posizione socchiusa in periodi di non utilizzo.

La serie è dedicata a qualsiasi esigenza e a qualsiasi tipo di imbarcazione: frigo-freezer, solo frigo, con apertura ad anta o a cassetto, potendo scegliere, inoltre, se utilizzare l'unità refrigerante in posizione interna o remotabile fino a 1,5 m..

CHROMELOCK - REMOTE COOLING UNIT SERIES



C51i CHR	C51DW CHR	C50i CHR	C39i CHR	C130L CHR	C95L CHR	C75L CHR	C75DW CHR	C42L CHR	C42DW CHR	C25L CHR
51	51	50	39	130	95	75	75	42	42	25
3,6	3,6	3,6	3,6	17,1	12,8	10,2	10,2	3,6		
•	•	•	•	•	•	•	•	•		
		Optional	Optional	Optional	Optional	Optional	Optional	Optional	•	•
16	19	15,7	16	25,2	22,3	18,6	21,6	15	18	12
380 524 532	380 526 532	396 415 636	390 415 547	525 565 767	485 471 792	470 460 622	470 462 622	380 384 532	380 386 532	422 322 442
	•						•		•	
•		•	•	•	•	•		•		•
•	•	•	•	•	•	•	•	•	•	•
•	•	•	•	•	•	•	•	•	•	•
•	•	•	•	•	•	•	•	•	•	•
				C130LA CHR	C95LA CHR	C75LA CHR				
•	•	•	•							
				•	•	•	•	•	•	•
12/24 Vdc										
12/24 Vdc 100-240 Vac 50/60Hz										
40	40	40	31	45	45	40	40	31	31	34
•	•	•	•	•	•	•	•	•	•	•
•	•	•	•	•	•	•	•	•	•	•
•	•	•	•	•	•	•	•	•	•	•
•	•	•	•	•	•	•	•	•	•	•
•	•	•	•	•	•	•	•	•	•	•
61	61	61	61	62	62	62	63	63	63	63

absorption, are particularly suitable for operation with solar energy.

door and double-door, solve any need for large refrigerated spaces on-board. Ideal for anyone seeking the practicality, functionality and convenience of their home refrigerator.

Top Loading Series.

Built-in fridges/freezers with top opening (top loading) are designed to be specially housed in confined spaces. They offer excellent performance even in extreme temperature conditions and, due to their low energy

Freezer Series.

All freezers are with remote cooling units (to be installed in ventilated areas) with clean stainless steel or aluminium interiors and evaporators installed within the box.


Winecellar Series. Ideal for storing 32, 18 or 10 bottles of wine even for long periods at the right temperature.

Home Comfort Series.

Dedicated to large campers and caravans, the combined fridge-freezers, both single-

TOP LOADING



	TL43	TL35RF	TL20RF	TL37L	TL37BT	TL40L	TL160RF TL160BT	TL180 RF	
Total volume - Capacità totale (lt.)	40	34	20	37	37	40	160	180	
Freezer compartment - Vano freezer (lt.)	ALL- IN- ONE								
Fridge+freezer - Frigo+freezer									
Dimensions - Dimensioni (mm.)	 A = B = H =	340 500 633	244 444 714	248 426 578	410 410 430	410 410 430	425 425 400	526 725 752	710 725 820
Weight - Peso (kg.)	14,5	15	17	15	15	10	29	39	
Drawer opening - Apertura a cassetto									
Front opening - Apertura frontale									
Top loading opening - Apertura a pozzetto	•	•	•	•	•	•	•	•	
Portable - Portatile									
Stainless steel finishing - Finitura in acciaio inox									
Standard finishing - Finitura standard	•	•	•	•	•	•	•	•	
Black finishing door - Porta colore nero			•	•	•	•			
Grey finishing door - Porta colore grey									
White finishing door - Porta colore bianco									
Compressor - Compressore	•	•	•	•	•	•	•	•	
Built-in cooling unit - Unità refrigerante interna							•	•	
Remote cooling unit - Unità refrigerante esterna	•	•	•	•	•	•			
Standard power supply - Alimentazione standard	12/24 Vdc								
Optional power supply - Alimentazione optional	12/24 Vdc 100-240 Vac 50/60Hz			12/24 Vdc 100-240 Vac 50/60Hz					
Nominal consumption - Consumo nominale (W)	45	28	28	45	45	31	43	43	
Digital thermostat - Termostato digitale	•	•							
Led thermostat - Termostato a Led									
Mechanical thermostat - Termostato meccanico			•	•	•	•	•	•	
Internal Led light - Luce interna a Led	•								
Reversible door - Porta reversibile									
Interchangeable panel - Pannello intercambiabile			•						
Page nr. - Pagina n.	69	70	70	70	70	71	71	71	

Portable Series. They offer excellent portability features, both in terms of reduced consumption and operational silence, and in terms of range and speed of reaching the desired temperature. Efficiency, versatility and compactness: with capacities ranging from 16 to 65 litres, they are a valid alternative to a traditional fridge/freezer.

VFREE Portable Series. Performance even at extremely high ambient temperatures, thanks to the use of state-of-the-art compressors, with extremely

low energy consumption. From the smallest of the range, the VF16P featuring 16 litres of lightness, up to the generous VF65P, offering 65 litres, perfectly capable of replacing a traditional type refrigerator, the Vfree series offers refrigeration and freezing from +10 up to -22°C with operation at 12/24 Vdc 100-240Vac 50/60Hz.

VFREE PLUS Portable Series. From the small 15 liters VFC15, to be positioned under the armrest, up to the VFD115: 115 liters divided into two independent compartments with different temperatures, to be comfortably transported by means of sturdy wheels and telescopic handle.

A very cool series, usable by a free app, but above

all with incomparable autonomy, thanks to the high-performance lithium-ion battery (optional), interchangeable and therefore replaceable at any time, and thanks also to the possibility of direct connection with the photovoltaic panel.

Special Installation Series. Designed for compact spaces, the two new D20A and D30A drawer refrigerators/freezers are a revolutionary innovation in terms of both aesthetics and technology. The series offers the additional advantage of not dispersing the cold even with numerous openings throughout the day. Equipped with a practical removable container (BRK35 and C47 CHR), they occupy limited space, while maintaining excellent usability.

PORTABLES

PORTABLES - VFREE SERIES



	C65L-C65D	C41L-C41D	C29M-C29D	VF65P	VF55P	VF45P	VF35P	VF16P
Total volume - Capacità totale (lt.)	65	41	29	65	55	45	35	16
Freezer compartment - Vano freezer (lt.)								
Fridge+freezer - Frigo+freezer	•	•	•	•	•	•	•	•
Dimensions - Dimensioni (mm.)	 A = 765 B = 510 H = 458	650 385 400	530 345 390	710 455 560	710 455 500	680 410 490	680 410 440	560 240 420
Weight - Peso (kg.)	24	17	15	23	22	20,5	19,5	8
Drawer opening - Apertura a cassetto								
Front opening - Apertura frontale								
Top loading opening - Apertura a pozzetto								
Portable - Portatile	•	•	•	•	•	•	•	•
Stainless steel finishing - Finitura in acciaio inox								
Standard finishing - Finitura standard								
Black finishing door - Porta colore nero								
Grey finishing door - Porta colore grey								
White finishing door - Porta colore bianco								
Compressor - Compressore	•	•	•	•	•	•	•	•
Built-in cooling unit - Unità refrigerante interna	•	•	•	•	•	•	•	•
Remote cooling unit - Unità refrigerante esterna								
Standard power supply - Alimentazione standard	12/24 Vdc			STANDARD 12/24 Vdc 100-240 Vac 50/60Hz				
Optional power supply - Alimentazione optional	12/24 Vdc 100-240 Vac 50/60Hz							
Nominal consumption - Consumo nominale (W)	45	43	48	55	55	55	55	45
Digital thermostat - Termostato digitale	C65D	C41D	C29D	•	•	•	•	•
Led thermostat - Termostato a Led	C65L	C41L						
Mechanical thermostat - Termostato meccanico			C29M					
Internal Led light - Luce interna a Led	•	•	•	•	•	•	•	•
Reversible door - Porta reversibile								
Interchangeable panel - Pannello intercambiabile								
Page nr. - Pagina n.	88	89	89	94	94	95	95	95

(*) C29D is available only as - C29D è disponibile solo in versione 12/24Vdc 100-240Vac 50/60Hz

Serie Portatili. I frigoriferi e freezer portatili offrono eccellenti caratteristiche di portabilità, sia in consumi ridotti e di silenziosità operativa che in termini di range e velocità di raggiungimento della temperatura desiderata. Efficienza, versatilità e compattezza: con capacità che vanno da 16 fino a 65 litri, rappresentano una valida alternativa ad un frigo/freezer di tipo tradizionale.

Serie Portatili VFREE. Prestazioni di raffreddamento ideali anche a temperature ambiente estremamente elevate, grazie all'utilizzo di compressori di ultima generazione, a fronte di un consumo energetico estremamente basso. Dal più piccolo della serie, il VF16P, 16 litri di

leggerezza, sino al generoso VF65P, un 65 litri, capace di sostituire in maniera perfetta anche un frigorifero di tipo tradizionale, la serie Vfree offre refrigerazione e congelazione da +10 sino a -22 °C con funzionamento a 12/24 Vdc 100-240Vac 50/60Hz.

Serie Portatili VFREE PLUS. Dal piccolo VFC15, 15 litri da posizionarsi sotto il bracciolo, fino al VFD115: 115 litri ripartiti in due scompartimenti indipendenti con temperature differenziate, da trasportarsi comodamente mediante robuste ruote e manico telescopico. Gestibile mediante app scaricabile gratuitamente e dotata di un'autonomia senza precedenti grazie alla performante batteria

agli ioni di litio (optional), intercambiabile e quindi sostituibile in qualunque momento e grazie anche alla possibilità di connessione diretta col pannello fotovoltaico.

Serie Installazioni Speciali. Dedicata a spazi dalle dimensioni contenute, i due nuovi frigoriferi/freezer a cassetto D20A e D30A rappresentano una profonda innovazione di tipo sia estetico che tecnologico. Questa serie offre l'ulteriore vantaggio di non disperdere il freddo anche a fronte di numerose aperture nell'arco della giornata.

Dotati di pratico contenitore estraibile (BRK35 e C47 CHR), occupano spazi limitati, conservando al contempo un'ottima fruibilità.

PORTABLES - VFREE PLUS SERIES

SPECIAL INSTALLATIONS



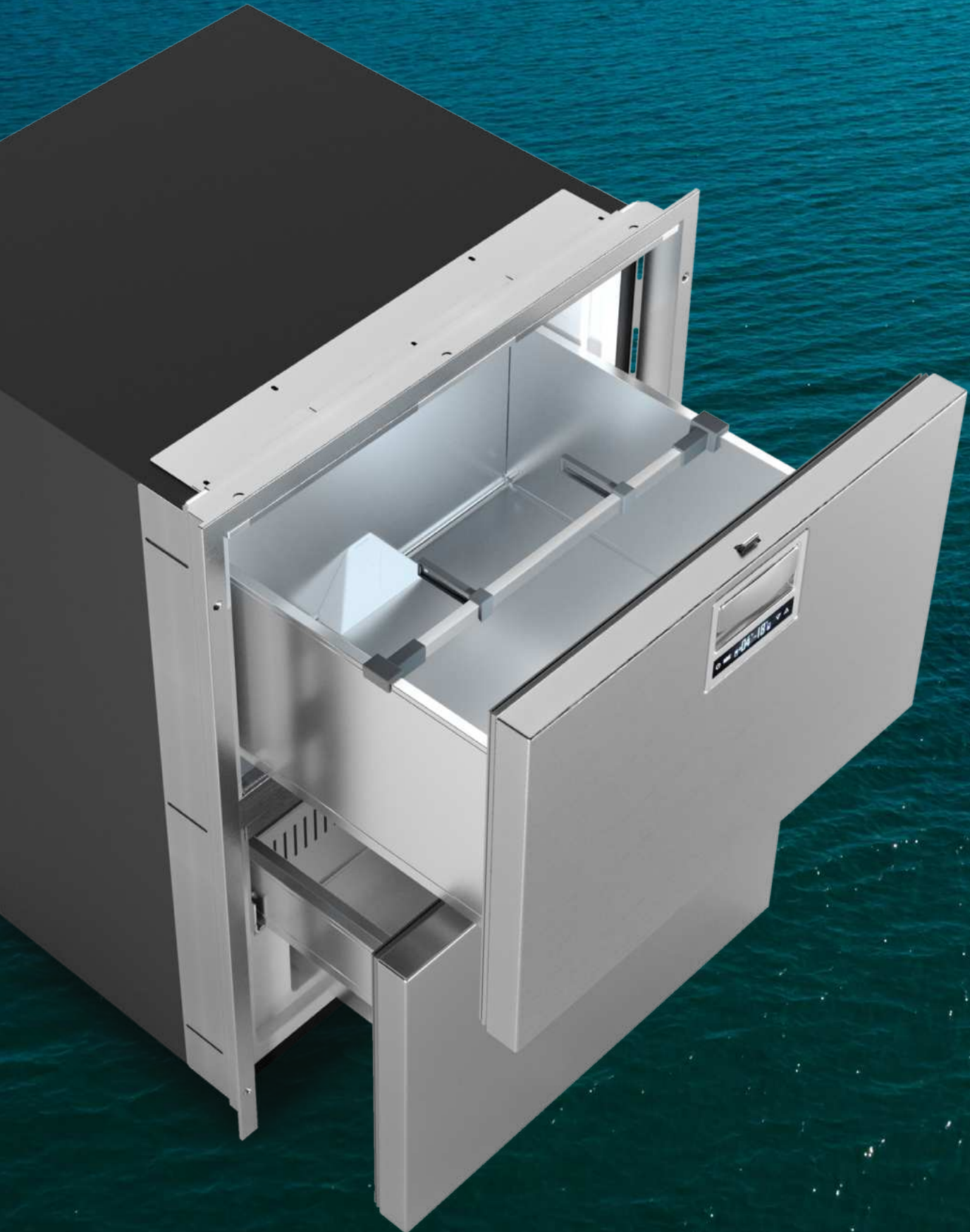
VFC 15	VFT 30	VFP 40	VFP 50	VFP 60	VFT 40	VFT 50	VFT 60	VFD 75	VFD 95	VFD 115	D20A	D30A	BRK 35P	BRK 35PX	C47 CHR
15	30	40	50	60	40	50	60	75	95	115	20	30	35	35	47
•	•	•	•	•	•	•	•	•	•	•	ALL-IN ONE	ALL-IN ONE			
591 230 453	631 378 375	647 400 441	647 400 506	647 400 571	711 460 441	711 460 506	711 460 571	937 535 465	1005 571 465	1005 571 523	440 445 250	440 585 250	440 520 250	506 563 305	430 480 392
9,3	12,8	14,7	15,7	17,7	16,7	17,7	18,7	25,6	28	30,8	15	17	16	16,7	19
											•	•			
													•	•	•
														•	
•	•	•	•	•	•	•	•	•	•	•				•	
											•	•			
											•	•			
•	•	•	•	•	•	•	•	•	•	•	•	•	•	•	•
											•	•			
											•	•			
													•	•	
100	100	101	101	101	102	102	102	103	103	103	109	109	110	111	111

STANDARD
12/24 Vdc 100-240 Vac 50/60Hz

12/24 Vdc

12/24 Vdc 100-240 Vac 50/60Hz

DRW SERIES



ALL IN ONE STAINLESS STEEL DRAWERS

FRIDGES AND FREEZERS



R290

NATURAL GAS
COMPRESSOR

COMPRESSORE
A GAS NATURALE

ALL IN ONE FRIGORIFERI E FREEZER

A CASSETTO IN ACCIAIO INOX

**THE ONLY ONE
THE ALL IN ONE**

Available models Modelli disponibili	Total volume Capacità totale
DRW360A	157 + 150 lt.
DRW180A	150 lt.
DRW70A	80 lt.



THE ULTIMATE IN FREEDOM

IL MASSIMO DELLA LIBERTÀ.

**YOU DECIDE.
ANY TEMPERATURE,
ANY TIME.**

DRW180A gives you the freedom to choose the temperature of the two drawers at any time. You can decide to have both in freezer mode, or in refrigerator mode, but also to alternate refrigerator and freezer or vice-versa.

DRW70A gives you the ability to set it as a freezer or refrigerator and to change the mode easily and immediately.

**DECIDI TU.
QUALSIASI TEMPERATURA,
IN QUALSIASI MOMENTO.**

DRW180A ti rende libero di scegliere in qualunque momento la temperatura dei due cassetti. Puoi decidere di averli entrambi in modalità freezer, oppure in modalità frigorifero, ma anche di alternare frigorifero e freezer o viceversa.

DRW70A ti dà la capacità di impostarlo come freezer o frigorifero e di cambiare la modalità in maniera semplice e immediata.



Made in Italy design and quality

CREATIVITÀ E QUALITÀ MADE IN ITALY

New elegant square profile door design featuring the new Steelock handle with AISI 316 stainless steel finish. Total interchangeability with the previous DW180 and DW70 models. A wide range of power supplies: 12/24Vdc and 12/24Vdc 100-240Vac.

Nuovo elegante design dell'anta a profilo squadrato con la nuova maniglia steelock Finitura in acciaio inox Aisi 316. Intercambiabilità totale con i precedenti modelli DW180 e DW70. Ampio range di alimentazioni: 12/24Vdc e 12/24Vdc 100-240Vac.



Integrated Vent Position

SISTEMA DI VENTILAZIONE INTEGRATO

The device integrated in the Steelock handle offers the "vent position" function, allowing the door to be held ajar and thus avoiding the formation of mould and odours during periods of non-use.

Il dispositivo integrato nella maniglia Steelock offre la funzione di "vent position", consentendo di tenere la porta socchiusa, evitando la formazione di muffe e odori nei periodi di non utilizzo.



Thermostat with touch screen

TERMOSTATO CON TOUCH SCREEN

The new Steelock multi-function flush door handle in AISI 316 stainless steel, integrates a thermostat with touch screen controls for digital temperature control:

DRW180A relative to the two drawers, choosing between refrigerator (+4°C) or freezer (-18°C).

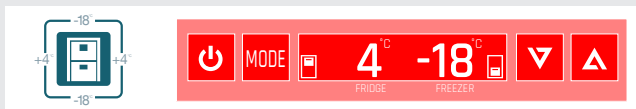
DRW70A refrigerator (+4°C) or freezer (-18°C).

La nuova maniglia multi funzione a filo porta Steelock, in acciaio inox AISI 316, integra un termostato con comandi touch screen per il controllo digitale della temperatura:

DRW180A relativamente ai due cassetti, scegliendo tra frigorifero (+4 °C) o freezer (-18 °C).

DRW70A frigorifero (+4 °C) o freezer (-18 °C).

DRW180A



DRW70A



New generation drawers

CASSETTI DI NUOVA GENERAZIONE

The new sliding guides of the drawers guarantee perfect closure and gentle and silent movement. In addition, the drawers are equipped with internal dividers to optimise distribution of the contents

Le nuove guide di scorrimento dei cassetti garantiscono la perfetta chiusura e un movimento delicato e silenzioso.

Inoltre i cassetti sono provvisti di divisori interni per ottimizzare la distribuzione del contenuto.



Interior LED light system

SISTEMA DI ILLUMINAZIONE A LED INTERNO



Interior LED lighting with high brightness and minimum consumption.

Illuminazione interna a LED ad elevata luminosità e consumi minimi.



3-STAR FREEZER AND TOTAL NO FROST

CONGELATORE A 3 STELLE E NO FROST TOTALE

The lower drawer of the DRW180A is able to maintain an internal temperature of -18°C compared to an ambient temperature of up to 43°C , while a new and efficient ventilation system ensures more effective food storage.



FROST

Il cassetto inferiore del DRW180A può mantenere una temperatura interna di -18°C a fronte di una temperatura ambiente fino a 43°C , mentre un nuovo ed efficiente sistema di ventilazione assicura una più efficace conservazione degli alimenti.



DOOR INSIDE
PORTA A FILO INTERNO



DOOR OUTSIDE
PORTA A FILO ESTERNO

The position of the door (flush or external) is achieved by simply moving the special single stainless steel fixing profile (supplied standard) with slotting for improved air circulation and cooling efficiency, supplied standard. In addition, the refrigerator can be attached to the recessed compartment from the inside.

La posizione dell'anta (a filo o esterna) si realizza tramite la semplice traslazione dello speciale (fornito di serie) profilo unico di fissaggio in acciaio inox dotato di asolatura per una migliore circolazione d'aria ed efficienza refrigerante, fornito di serie.

Inoltre, è possibile fissare il frigorifero al vano d'incasso dall'interno.



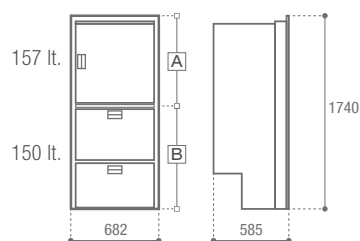


DRW360A. Perfect combination

DRW360. LA COMBINAZIONE PERFETTA

The new DRW360A is a perfect combination between the DRW180A (all-in-one fridge-freezer) and the C180 (only fridge), the latter configured with the new digital thermostat, for a precise control of temperature. The result is a very exclusive, high-end product, unique in its kind.

Il nuovo DRW360A nasce come combinazione tra il DRW180A (frigorifero-freezer in modalità all-in-one) e il C180 (solo frigorifero), quest'ultimo configurato con il nuovo termostato digitale, per un controllo preciso della temperatura impostata. Il risultato è un prodotto decisamente esclusivo, di alta gamma, unico nel suo genere.



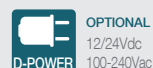
DRW360A

Internal cooling unit
Unità refrigerante interna

Total volume Capacità totale	157 + 150 lt.
Net weight Peso netto	100 kg.
Power supply Alimentazione	12/24 Vdc
Nominal consumption Consumo nominale	A B
Max absorbed power during Defrost Assorbimento Max durante Defrost	- 130 W
Max consumption power during Defrost (12Vdc) Consumo Max durante Defrost (24Vdc)	- 10,5 A
Max consumption - Normal Operation (12Vdc) Consumo Max - Funzionamento Normale (24Vdc)	4 A 8 A 2 A 4 A

Daily consumption (T_{ext.} = 25°C) CONSUMO GIORNALIERO

Set +8°C	0,5 kWh/24h
A Set +4°C	0,6 kWh/24h
Set +2°C	0,7 kWh/24h
Fridge/Fridge Frigorifero/Frigorifero (+4°C/+4°C)	0,6 kWh/24h
B Fridge/Freezer Frigorifero/Congelatore (+4°C/-18°C)	1,1 kWh/24h
Freezer/Freezer Congelatore/Congelatore (-18°C/-18°C)	1,2 kWh/24h





H max
280 mm.

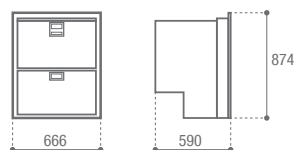


H max
290 mm.

DRW180A

Internal cooling unit
Unità refrigerante interna

Total volume Capacità totale	150 lt.
Net weight Peso netto	55 kg.
Power supply Alimentazione	12/24 Vdc
Max absorbed power during Defrost Assorbimento Max durante Defrost	130 W
Max consumption power during Defrost Consumo Max durante Defrost	10,5 A (12/24Vdc)
Max consumption - Normal Operation Consumo Max - Funzionamento Normale	8 A (12Vdc) 4 A (24Vdc)



LED



OPTIONAL
12/24Vdc
100-240Vac

Daily consumption (T_{ext.} = 25°C) CONSUMO GIORNALIERO

Fridge/Fridge Frigorifero/Frigorifero	(+4°C/+4°C)	0,6 kWh/24h
Fridge/Freezer Frigorifero/Congelatore	(+4°C/-18°C)	1,1 kWh/24h
Freezer/Freezer Congelatore/Congelatore	(-18°C/-18°C)	1,2 kWh/24h



Dual electronic control CENTRALINA BIVALENTE

12/24 Vdc 100-240 Vac - 50/60 Hz

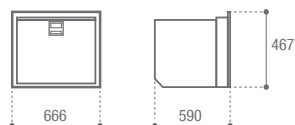


H max
280 mm.

DRW70A

External cooling unit
Unità refrigerante esterna

Total volume Capacità totale	80 lt.
Net weight Peso netto	38 kg.
Power supply Alimentazione	12/24 Vdc
Max absorbed power during Defrost Assorbimento Max durante Defrost	130 W
Max consumption power during Defrost Consumo Max durante Defrost	10,5 A (12/24Vdc)
Max consumption - Normal Operation Consumo Max - Funzionamento Normale	8 A (12Vdc) 4 A (24Vdc)



LED



OPTIONAL
12/24Vdc
100-240Vac

Daily consumption (T_{ext.} = 25°C) CONSUMO GIORNALIERO

Fridge Frigorifero	(+4°C)	0,25 kWh/24h
Freezer Congelatore	(-18°C)	1,1 kWh/24h



Remotable cooling unit UNITÀ DI REFRIGERAZIONE REMOTABILE



UP TO
FINO A **1,5 mt.**

DW OCX2 SERIES



STAINLESS STEEL DRAWERS

FRIDGES AND FREEZERS

FRIGORIFERI E FREEZER

A CASSETTO IN ACCIAIO INOX



Available models Modelli disponibili	Total volume Capacità totale
DW360 OCX2	157+80+64
DW250 OCX2	157+75
C180 OCX2	157
DW210 OCX2	78+104
DW180 OCX2	80+64
DW100 OCX2	95
DW70 OCX2	75
DW35 OCX2	35



Elegance and style

ELEGANZA E STILE

Designed to transform the refrigerator into an elegant piece of furniture, they express an understated and refined style, successfully interpreting the unique personality of your boat. Available in configurations ranging from a generous 300 litres to the smallest of just 35 litres, and with the possibility for refrigerator, freezer and ice-maker functions, with internal or external motor, they are truly able to meet any type of need and positioning on-board.

Pensati per trasformare il frigorifero in un elegante elemento di arredo, esprimono uno stile sobrio e ricercato, capace di interpretare la personalità unica della vostra imbarcazione. Disponibili in configurazioni che vanno dai generosi 300 litri fino al più piccolo di soli 35 litri, e con la possibilità di avere funzioni di frigorifero, freezer e icemaker, con motore interno o esterno, fanno sì che siano davvero in grado di soddisfare qualsiasi tipo di esigenza e di ubicazione a bordo.



New generation drawers

CASSETTI DI NUOVA GENERAZIONE

The new sliding guides of the drawers guarantee perfect closure and gentle and silent movement. In addition, the drawers are equipped with internal dividers to optimise distribution of the contents.

Le nuove guide di scorrimento dei cassetti garantiscono la perfetta chiusura e un movimento delicato e silenzioso.

Inoltre i cassetti sono provvisti di divisori interni per ottimizzare la distribuzione del contenuto.



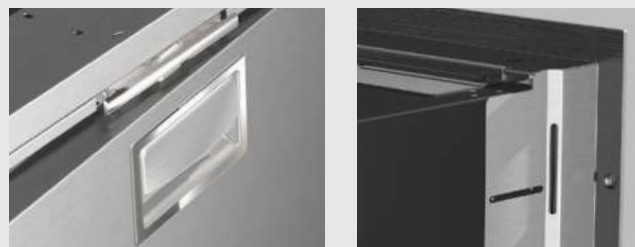
Door Inside / Door Outside

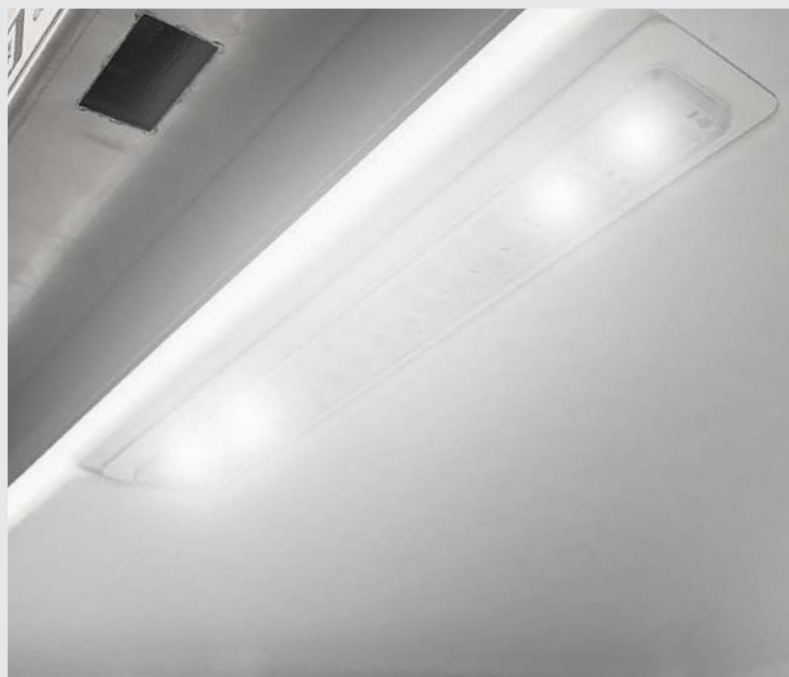
PORTA A FILO INTERNO / ESTERNO

The position of the door (flush or external) is achieved by simply moving the special single stainless steel fixing profile (supplied standard) with slotting for improved air circulation and cooling efficiency, supplied standard. In addition, the refrigerator can be attached to the recessed compartment from the inside.

La posizione dell'anta (a filo o esterna) si realizza tramite la semplice traslazione dello speciale (fornito di serie) profilo unico di fissaggio in acciaio inox dotato di asolatura per una migliore circolazione d'aria ed efficienza refrigerante, fornito di serie.

Inoltre, è possibile fissare il frigorifero al vano d'incasso dall'interno.





Internal icemaker

FABBRICATORE DI GHIACCIO INTERNO

The DW360, DW210, DW180 and DW70 models can be equipped with an internal icemaker for the production of “crescent moon” shaped ice cubes, ensuring less cohesion between the elements and facilitating their mutual detachment and therefore use.

I modelli DW360, DW210, DW180 e DW70 possono essere dotati di ice maker interno per la produzione di cubetti di ghiaccio nella forma “crescent moon”, che garantisce una minore coesione tra gli elementi, favorendone il distacco reciproco e quindi l'utilizzo.



Precise temperature control

CONTROLLO PRECISO DELLA TEMPERATURA

Temperature control is provided by an innovative LED thermostat able to offer maximum precision in the selection of refrigeration degrees.

Il controllo della temperatura è affidato ad un innovativo termostato LED in grado di offrire il massimo della precisione nella selezione dei gradi di refrigerazione.



Internal LED light system

SISTEMA DI ILLUMINAZIONE A LED INTERNO

All models (with the exception of the DW35) are equipped with an internal LED light system that offers high brightness with minimum consumption.

Tutti i modelli (ad eccezione del DW35) sono dotati di un sistema di luce interna a LED che offre un'elevata luminosità a fronte di consumi minimi.



Integrated Vent Position

SISTEMA DI VENTILAZIONE INTEGRATO

A smart device, incorporated in the Steelock handle, realizes the “vent position” function, keeping the fridge door slightly open to prevent unpleasant odours when not in use.

Il dispositivo integrato nella maniglia Steelock realizza la funzione di “vent position”, consentendo di tenere la porta socchiusa, evitando la formazione di muffe e odori nei periodi di non utilizzo.



Remotable cooling unit

UNITÀ DI REFRIGERAZIONE REMOTABILE

Up to **1,5**
FINO A **mt.**

The remotable external cooling unit (In models with external cooling unit) offers added available volume inside the refrigerator. In addition, it expands the installation possibilities in terms of functionality, efficiency and soundproofing.

I modelli con unità di refrigerazione esterna hanno la facoltà di remotare quest'ultima permettendo di avere maggior volume a disposizione all'interno del frigorifero ed espandendo inoltre, le possibilità di installazione, sia in termini di funzionalità che di efficienza e insonorizzazione.



Dual electronic control

CENTRALINA BIVALENTE

12/24 Vdc
100-240 Vac
50/60 Hz





 H max
310 mm.

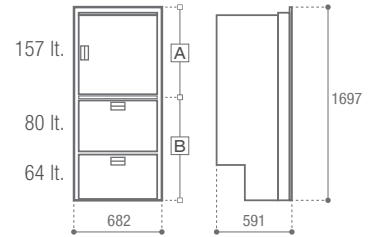
 H max
310 mm.



OPTIONAL
12/24Vdc
100-240Vac
D-POWER

DW360 OCX2

DW360 OCX2	Power supply and nominal consumption Alimentazione e consumo nominale				Net weight Peso netto
	12/24 Vdc	12/24 Vdc	115 Vac	230 Vac	
	A	B	B	B	
BTX	45W	61W	-	-	102 kg.
DTX	45W	61W	-	-	102 kg.
BTX IM	45W	-	168W	140W	107 kg.
DTX IM	45W	-	168W	140W	107 kg.



- 1 Fridge / Frigorifero
- 2 Freezer / Congelatore
- 3 Freezer+Icemaker /
Congelatore + Icemaker

DW250 OCX2

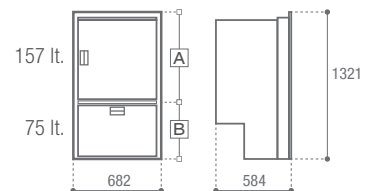


 H max
300 mm.



OPTIONAL
12/24Vdc
100-240Vac
D-POWER

DW250 OCX2	Power supply and nominal consumption Alimentazione e consumo nominale		Net weight Peso netto
	12/24 Vdc	12/24 Vdc	
	A	B	
RFX	45W	38W	67 kg.
BTX	45W	40W	67 kg.



- 1 Fridge / Frigorifero
- 2 Freezer / Congelatore

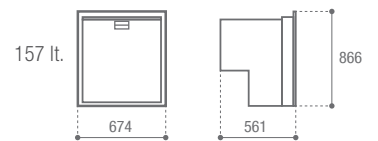
C180 OCX2



Power supply and nominal consumption Alimentazione e consumo nominale

Net weight Peso netto

C180 OCX2	12/24 Vdc	45W	41 kg.
-----------	-----------	-----	--------



OPTIONAL
12/24Vdc
100-240Vac



1 Fridge
Frigorifero

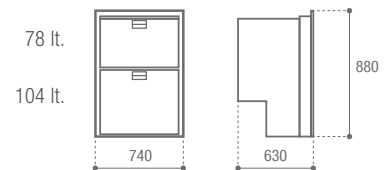
DW210 OCX2



Power supply and nominal consumption Alimentazione e consumo nominale

Net weight Peso netto

	12/24 Vdc	115 Vac	230 Vac	
DW210 OCX2				
RFX	45W	-	-	61 kg.
BTX	61W	-	-	61 kg.
DTX	61W	-	-	61 kg.
BTX IM	-	168W	140W	66 kg.
DTX IM	-	168W	140W	66 kg.



OPTIONAL
12/24Vdc
100-240Vac

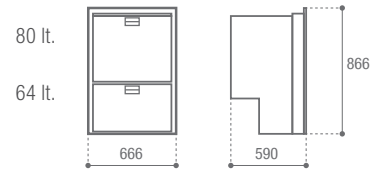


1 Fridge / Frigorifero
2 Freezer / Congelatore
3 Freezer+Icemaker / Congelatore + Icemaker



DW180 OCX2

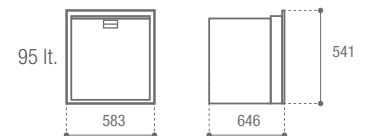
DW180 OCX2	Power supply and nominal consumption Alimentazione e consumo nominale			Net weight Peso netto
	12/24 Vdc	115 Vac	230 Vac	
RFX	45W	-	-	56 kg.
BTX	61W	-	-	56 kg.
DTX	61W	-	-	56 kg.
BTX IM	-	168W	140W	61 kg.
DTX IM	-	168W	140W	61 kg.



- 1 Fridge / Frigorifero
- 2 Freezer / Congelatore
- 3 Freezer+Icemaker / Congelatore + Icemaker

DW100 OCX2

DW100 OCX2	Power supply and nominal consumption Alimentazione e consumo nominale		Net weight Peso netto
	12/24 Vdc		
RFX	40W		32 kg.
BTX	52W		32 kg.

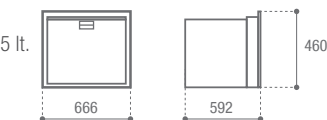


- 1 Fridge / Frigorifero
- 2 Freezer / Congelatore

DW70 OCX2



H max
300 mm.



	Power supply and nominal consumption Alimentazione e consumo nominale			Net weight Peso netto
	12/24 Vdc	115 Vac	230 Vac	
DW70 OCX2				
RFX	38W	-	-	33 kg.
BTX	40W	-	-	33 kg.
BTX IM		168W	140W	38 kg.



OPTIONAL
12/24Vdc
100-240Vac



- 1 Fridge / Frigorifero
- 2 Freezer / Congelatore
- 3 Freezer+Icemaker /
Congelatore + Icemaker



H max
155 mm.

DW35 OCX2

Power supply and nominal consumption
Alimentazione e consumo nominale

	Power supply and nominal consumption Alimentazione e consumo nominale		Net weight Peso netto
	12/24 Vdc		
DW35 OCX2	12/24 Vdc		
RFX	31W		25 kg.
BTX	47W		25 kg.



3-Liters
food storage
container



OPTIONAL
12/24Vdc
100-240Vac



- 1 Fridge / Frigorifero
- 2 Freezer / Congelatore

OCX2 SERIES



STAINLESS STEEL

FRIDGES AND FREEZERS

FRIGORIFERI E FREEZER

IN ACCIAIO INOX

Available models Modelli disponibili	Total volume Capacità totale			
BUILT-IN COOLING UNIT / UNITÀ INTERNA				
DP2600iX OCX2	230	●		
C115iX - C115iAX OCX2	115	●	●	
C90iX OCX2	90	●		
DW90 OCX2 RFX	90	●		●
C85iX - C85iAX OCX2	85	●	●	
C62iX OCX2	62	●		
DW62 OCX2 RFX	62	●		●
C60iX - C60iAX OCX2	60	●	●	
C51iX OCX2	51	●		
DW51 OCX2 RFX	51	●		●
REMOTE COOLING UNIT / UNITÀ ESTERNA				
C130LX - C130LAX OCX2	130	●	●	
C75LX - C75LAX OCX2	75	●	●	
DW75 OCX2 RFX	75	●	●	●
C42LX OCX2	42	●	●	
DW42 OCX2 RFX	42		●	●
DW51 OCX2 DRINKS	51		●	●
DW62 OCX2 DRINKS	62		●	●
DW90 OCX2 DRINKS	90		●	●
CFR CL OCX2	24	●		
CFR XR OCX2	24	●		

 Fridge/Freezer
Frigido/Congelatore

 Fridge
Frigido

 Drawer
Cassetto

A CHOICE OF TRUE CLASS

OCX2: UNA SCELTA DI VERA CLASSE

Renewed both in design and functionality, the series of stainless steel refrigerators and freezers offers a complete range in terms of internal volume (from the small 42-litre to the double 230-litre door), together with the wide range of configurations proposed (with door, drawer, refrigerator-only or with freezer compartment).

AX models are equipped with a holding plate to maintain the temperature in the fridge for extended periods either over night or when there is limited power available.

Rinnovata sia nel design che nella funzionalità, la serie di frigoriferi e freezer in acciaio inox offre una gamma completa per quanto riguarda il volume interno (dal piccolo 42 litri al doppia porta da 230 litri), unitamente all'ampio ventaglio di configurazioni proposte (ad anta, a cassetto, in versione solo frigo, piuttosto che con cella freezer).

I modelli il cui codice termina con le lettere "AX" sono equipaggiati con un evaporatore ad accumulo di freddo, che ne consente l'utilizzo anche a motori spenti.

THE NEW OCX2 SYSTEM IL NUOVO SISTEMA OCX2

The new OCX2 version offers multiple advantages:

- 1) positive snap closure of the door to avoid accidental openings;
- 2) single fixing profile (optional), to fix the refrigerator in a partial (door outside) or total (door inside) recess position;
- 3) reversibility of the door: thanks to the measures adopted during the design phase, this is a simple and quick operation to perform;
- 4) "vent position" system integrated in the handle, allowing the door to be held ajar during periods of non-use, preventing the internal formation of mould and odours.

La nuova versione OCX2 offre molteplici vantaggi:

- 1) chiusura positiva a scatto della porta per evitare aperture accidentali;
- 2) unico profilo di fissaggio (optional), per fissare il frigorifero in posizione ad incasso parziale (door outside) o totale (door inside);
- 3) reversibilità della porta: grazie agli accorgimenti previsti in fase di progettazione è un'operazione semplice e veloce da eseguire;
- 4) sistema "vent position" integrato nella maniglia, per consentire la parziale apertura della porta durante il periodo di non utilizzo, scongiurando la formazione interna di muffe e odori.



Door Inside / Door Outside PORTA A FILO INTERNO / ESTERNO

The position of the door (flush or external) is achieved by simply moving the special single stainless steel fixing profile (supplied standard) with slotting for improved air circulation and cooling efficiency, supplied standard. In addition, the refrigerator can be attached to the recessed compartment from the inside.

La posizione dell'anta (a filo o esterna) si realizza tramite la semplice scorrimento dello speciale (fornito di serie) profilo unico di fissaggio in acciaio inox dotato di asolatura per una migliore circolazione d'aria ed efficienza refrigerante, fornito di serie. Inoltre, è possibile fissare il frigorifero al vano d'incasso dall'interno.



 **FRIDGE + FREEZER**
FRIGORIFERO + FREEZER



 **FRIDGE**
FRIGORIFERO



 **DRAWER**
CASSETTO



 **Internal LED light system**
SISTEMA DI ILLUMINAZIONE A LED INTERNO

All models are equipped with an internal LED light system that offers high brightness with minimum consumption.

Tutti i modelli sono dotati di un sistema di luce interna a LED che offre un'elevata luminosità a fronte di consumi minimi.

 **Integrated Vent Position**
SISTEMA DI VENTILAZIONE INTEGRATO

The device integrated in the Steelock handle achieves the "vent position" function, allowing the door to be held ajar, thus avoiding the formation of mould and unpleasant odours during periods of non-use.

Il dispositivo integrato nella maniglia Steelock realizza la funzione di "vent position", consentendo di tenere la porta socchiusa, evitando la formazione di muffe e odori nei periodi di non utilizzo.

 **Remotable cooling unit**
UNITÀ DI REFRIGERAZIONE REMOTABILE **Up to 1,5**
FINO A **mt.**

The remotable external cooling unit (In models with external cooling unit) offers added available volume inside the refrigerator. In addition, it expands the installation possibilities in terms of functionality, efficiency and soundproofing.

I modelli con unità di refrigerazione esterna hanno la facoltà di remotare quest'ultima permettendo di avere maggior volume a disposizione all'interno del frigorifero ed espandendo inoltre, le possibilità di installazione, sia in termini di funzionalità che di efficienza e insonorizzazione.



OPTIONAL
 **Dual electronic control**
CENTRALINA BIVALENTE

12/24 Vdc
100-240 Vac
50/60 Hz



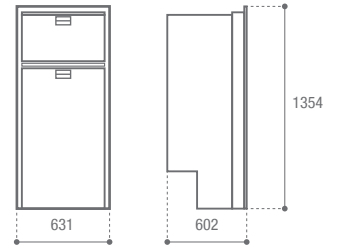


DP2600iX OCX2



OPTIONAL
12/24Vdc
100-240Vac

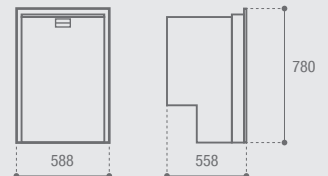
Total volume Capacità totale	230 lt.
Freezer compartment Vano freezer	60 lt.
Net weight Peso netto	63 kg.
Power supply and nominal consumption Alimentazione e consumo nominale	12/24 Vdc 65 W



OPTIONAL
12/24Vdc
100-240Vac

OPTIONAL
12/24Vdc
100-240Vac

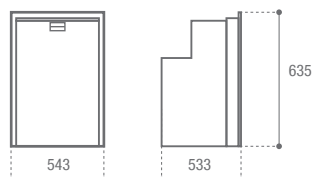
Total volume Capacità totale	115 lt.
Freezer compartment Vano freezer	17,1 lt.
Net weight Peso netto	32 kg.
Power supply and nominal consumption Alimentazione e consumo nominale	12/24 Vdc 45 W



OPTIONAL
12/24Vdc
100-240Vac

C90iX OCX2

Total volume Capacità totale	90 lt.
Freezer compartment Vano freezer	9,8 lt.
Net weight Peso netto	27 kg.
Power supply and nominal consumption Alimentazione e consumo nominale	12/24 Vdc 45 W



DW90 OCX2 RFX

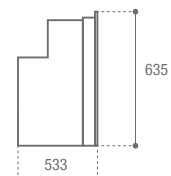


OPTIONAL
12/24Vdc
100-240Vac



H max
280 mm.

Total volume Capacità totale	90 lt.
Freezer compartment Vano freezer	9,8 lt.
Net weight Peso netto	30 kg.
Power supply and nominal consumption Alimentazione e consumo nominale	12/24 Vdc 45 W

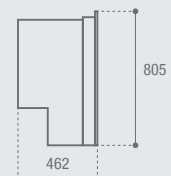
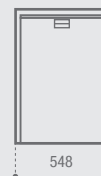


C85iX - C85iAX OCX2



OPTIONAL
Fridge
12/24Vdc
100-240Vac

Total volume Capacità totale	85 lt.
Freezer compartment Vano freezer	12,8 lt.
Net weight Peso netto	29 kg.
Power supply and nominal consumption Alimentazione e consumo nominale	12/24 Vdc 45 W

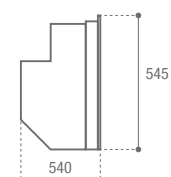


C62iX OCX2



OPTIONAL
12/24Vdc
100-240Vac

Total volume Capacità totale	62 lt.
Freezer compartment Vano freezer	4,5 lt.
Net weight Peso netto	22 kg.
Power supply and nominal consumption Alimentazione e consumo nominale	12/24 Vdc 40 W



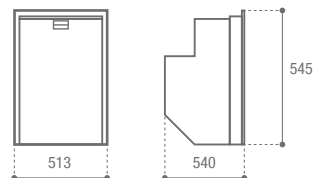
DW62 OCX2 RFX



OPTIONAL
12/24Vdc
100-240Vac

H max
280 mm.

Total volume Capacità totale	62 lt.
Freezer compartment Vano freezer	4,5 lt.
Net weight Peso netto	27 kg.
Power supply and nominal consumption Alimentazione e consumo nominale	12/24 Vdc 40 W



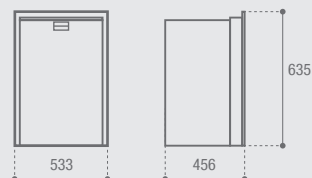
3-LITERS
FOOD STORAGE
CONTAINER

C60iX - C60iAX OCX2



OPTIONAL
12/24Vdc
100-240Vac

Total volume Capacità totale	60 lt.
Freezer compartment Vano freezer	10,2 lt.
Net weight Peso netto	24 kg.
Power supply and nominal consumption Alimentazione e consumo nominale	12/24 Vdc 40 W

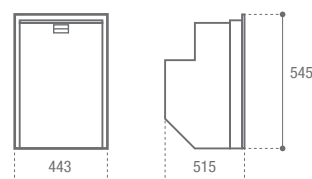


C51iX OCX2



OPTIONAL
12/24Vdc
100-240Vac

Total volume Capacità totale	51 lt.
Freezer compartment Vano freezer	3,6 lt.
Net weight Peso netto	20 kg.
Power supply and nominal consumption Alimentazione e consumo nominale	12/24 Vdc 40 W



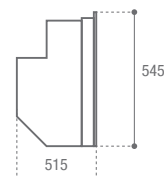
DW51 OCX2 RFX



LED

Fridge
FreezerOPTIONAL
12/24Vdc
100-240VacH max
250 mm.

Total volume Capacità totale	51 lt.
Freezer compartment Vano freezer	3,6 lt.
Net weight Peso netto	23 kg.
Power supply and nominal consumption Alimentazione e consumo nominale	12/24 Vdc 40 W



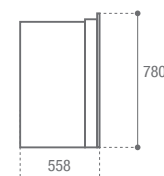
C130LX - C130LAX OCX2



LED

OPTIONAL
FridgeFridge
FreezerOPTIONAL
12/24Vdc
100-240Vac

Total volume Capacità totale	130 lt.
Freezer compartment Vano freezer	17,1 lt.
Net weight Peso netto	33 kg.
Power supply and nominal consumption Alimentazione e consumo nominale	12/24 Vdc 45 W



C75LX - C75LAX OCX2



OPTIONAL
Fridge

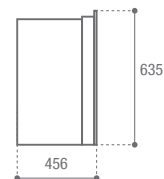


Fridge
Freezer



OPTIONAL
12/24Vdc
100-240Vac

Total volume Capacità totale	75 lt.
Freezer compartment Vano freezer	10,2 lt.
Net weight Peso netto	25 kg.
Power supply and nominal consumption Alimentazione e consumo nominale	12/24 Vdc 40 W



DW75 OCX2 RFX



OPTIONAL
Fridge

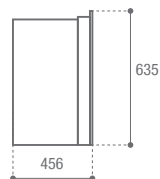


Fridge
Freezer



OPTIONAL
12/24Vdc
100-240Vac

Total volume Capacità totale	75 lt.
Freezer compartment Vano freezer	10,2 lt.
Net weight Peso netto	28 kg.
Power supply and nominal consumption Alimentazione e consumo nominale	12/24 Vdc 40 W

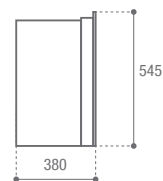


 H max
330 mm.

C42LX OCX2



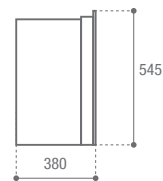
Total volume Capacità totale	42 lt.
Freezer compartment Vano freezer	3,6 lt.
Net weight Peso netto	18 kg.
Power supply and nominal consumption Alimentazione e consumo nominale	12/24 Vdc 31 W



DW42 OCX2 RFX



Total volume Capacità totale	42 lt.
Net weight Peso netto	22 kg.
Power supply and nominal consumption Alimentazione e consumo nominale	12/24 Vdc 31 W



DW DRINKS SERIES

CHEERS!

ALLA VOSTRA SALUTE!

Designed to offer even greater comfort onboard, the “Drinks Series” is mainly dedicated to drinks and beverages storage.

The drinks placement is made easy thanks to a sliding basket on the upper part of the drawer, equipped with a drawer separator for three 2 litres bottles.

Pensata per offrire un sempre maggior comfort a bordo, la serie dei frigoriferi a cassetto in versione “Drinks” è dedicata prevalentemente allo storage di bibite e bevande.

Il posizionamento delle bevande è facilitato dalla presenza di un cestello scorrevole sulla parte superiore del cassetto dotato di un separatore con lo spazio utile per 3 bottiglie da 2 litri.



Precise temperature control

CONTROLLO PRECISO DELLA TEMPERATURA

The new digital thermostat has 5 default settings to guarantee maximum functionality, relevant to the desired temperature, allowing to get a constant cycle even at 43°!

Il nuovo termostato digitale ha 5 impostazioni predefinite per garantire massima funzionalità in relazione alla temperatura desiderata, consentendo di avere un ciclo costante anche con 43°C!

DW62 OCX2 DRINKS



DW90 OCX2 DRINKS



Internal LED light system

SISTEMA DI ILLUMINAZIONE A LED INTERNO

All models are equipped with an internal LED light system offering high brightness with minimum consumption.

Tutti i modelli sono dotati di un sistema di luce interna a LED che offre un'elevata luminosità a fronte di consumi minimi.



Door Inside / Door Outside

PORTA A FILO INTERNO / ESTERNO

The position of the door (flush or external) is achieved by simply moving the special single stainless steel fixing profile (supplied standard) with slotting for improved air circulation and cooling efficiency, supplied standard. In addition, the refrigerator can be attached to the recessed compartment from the inside.

La posizione dell'anta (a filo o esterna) si realizza tramite la semplice scorrimento dello speciale (fornito di serie) profilo unico di fissaggio in acciaio inox dotato di asolatura per una migliore circolazione d'aria ed efficienza refrigerante, fornito di serie. Inoltre, è possibile fissare il frigorifero al vano d'incasso dall'interno.



Integrated Vent Position

SISTEMA DI VENTILAZIONE INTEGRATO

The device integrated in the Steelock handle achieves the "vent position" function, allowing the door to be held ajar, thus avoiding the formation of mould and odours during periods of non-use.

Il dispositivo integrato nella maniglia Steelock realizza la funzione di "vent position", consentendo di tenere la porta socchiusa, evitando la formazione di muffe e odori nei periodi di non utilizzo.



Ventilated Evaporator

EVAPORATORE VENTILATO

The "Drinks Series" is equipped with a ventilated evaporator allowing constant air recirculation and achieving temperature uniformity inside your refrigerator.

La "Serie Drinks" è equipaggiata con un evaporatore ventilato che consente un costante ricircolo dell'aria e il raggiungimento dell'uniformità della temperatura all'interno del frigo.



REFUEL AND GO!

FATE IL PIENO E PARTITE!

The Drinks series allows you to fill up on the drinks that best suit your habits.

The interior has been designed to manage differently the space of the drawer and the removable upper basket. This one, if necessary, is completely and easily removable.

La serie Drinks vi permette di fare il pieno delle bevande che meglio si adattano alle vostre abitudini.

L'interno è stato progettato per gestire in maniera differenziata lo spazio del cassetto e del cestello superiore estraibile e, all'occorrenza, completamente e facilmente amovibile.

Configuration with upper inserted basket
Configurazione con cestello superiore inserito

Drawer front

Parte anteriore del cassetto

- DW62: 3 bottles H max 310mm.
- DW 90: 3 bottles H max 340mm.

Drawer back

Parte posteriore del cassetto

- DW62: bottles and cans H max 250mm.
- DW 90: bottles and cans H max 280mm.

Upper basket

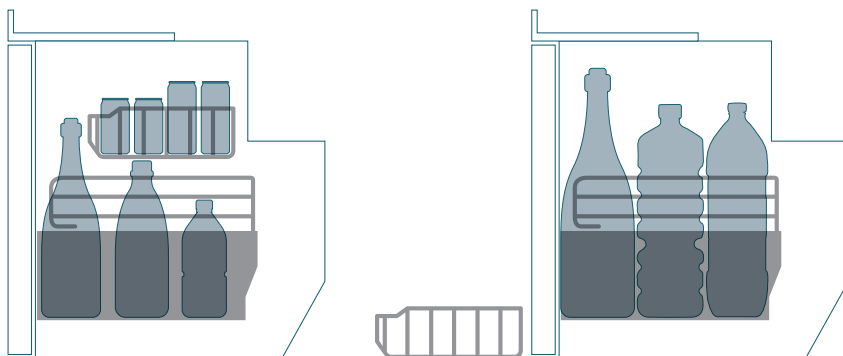
Cestello superiore

- DW62: bottles and cans H max 150mm.
- DW 90: bottiglie e lattine H max 160mm.



By removing the upper basket, the entire capacity of the refrigerator is available, so that you can freely storage any type of bottle or container you want.

Estraendo il cestello superiore, si ha a disposizione l'intera capacità del frigorifero, in modo da poter alloggiare liberamente qualsiasi tipologia di bottiglia o contenitore che si desidera.



COMING
SOON

DW51 OCX2 DRINKS

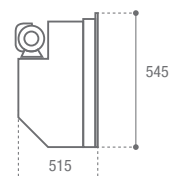


LED



FRIDGE

Total volume Capacità totale	51 lt.
Net weight Peso netto	23 kg.
Power supply and nominal consumption Alimentazione e consumo nominale	12/24 Vdc 50 W



NEW

DW62 OCX2 DRINKS

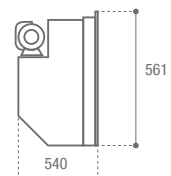


LED



FRIDGE

Total volume Capacità totale	62 lt.
Net weight Peso netto	27 kg.
Power supply and nominal consumption Alimentazione e consumo nominale	12/24 Vdc 50 W



NEW

DW90 OCX2 DRINKS

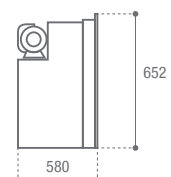


LED



FRIDGE

Total volume Capacità totale	90 lt.
Net weight Peso netto	30 kg.
Power supply and nominal consumption Alimentazione e consumo nominale	12/24 Vdc 50 W



CFR OCX2 SERIES

FRIDGE + FREEZER
FRESH AND FROZEN FOOD AND BEVERAGE



Precise temperature control

CONTROLLO PRECISO DELLA TEMPERATURA

CFR OCX2 series, with the new stylish square edge door design in AISI 316 stainless steel, is able to set any temperature at any time, starting in fridge mode then switching to freezer mode or vice-versa. Thanks to its new Led thermostat, You can set the temperature from +10°C up to -18°C.

La serie CFR OCX2, con il nuovo elegante design dell'anta squadrata in acciaio inox AISI 316, è in grado di impostare la temperatura desiderata in qualsiasi momento, partendo dalla modalità frigo e passando alla modalità freezer o viceversa. Grazie al nuovo termostato Led, si può settare la temperatura in un range che va da +10°C fino a -18°C.



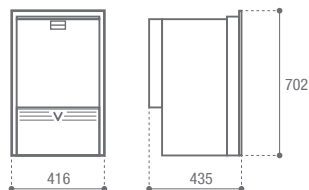


CFR CL OCX2

NEW

Total volume Capacità totale	24 lt.
Net weight Peso netto	24 kg.
Power supply and nominal consumption Alimentazione e consumo nominale	12/24 Vdc 60 W

°C **+10 -18**



D-POWER OPTIONAL
12/24Vdc
100-240Vac

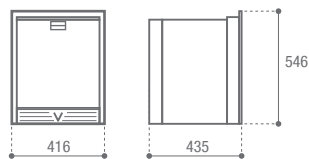


CFR XR OCX2

NEW

Total volume Capacità totale	24 lt.
Net weight Peso netto	15 kg.
Power supply and nominal consumption Alimentazione e consumo nominale	12/24 Vdc 60 W

°C **+10 -18**



D-POWER OPTIONAL
12/24Vdc
100-240Vac

ICEMAKER SERIES



STAINLESS STEEL

ICEMAKERS

ICEMAKERS

IN ACCIAIO INOX

Available models

Modelli disponibili

Ice production

Produzione ghiaccio

OCX2 230Vac

kg. / 24h

IM XT OCX2 HYDRO up to / fino a 8

IM XR OCX2 HYDRO up to / fino a 8

IM XT OCX2 REFILL up to / fino a 8

IM XR OCX2 REFILL up to / fino a 8

IM CL OCX2 HYDRO up to / fino a 8

IM CL OCX2 REFILL up to / fino a 8

12Vdc

kg. / 24h

IM XT HYDRO up to / fino a 4

IM CL HYDRO up to / fino a 4

IM CL REFILL up to / fino a 4



Ice at will

GHIACCIO A VOLONTÀ

Vitrifrigo icemakers are the best choice aboard. They are made of AISI 316 stainless steel and have corrosion-resistant materials to give them a long life span. With a large capacity, Icemaker series is designed to be very easy to use. You can choose the new OCX2 series (230Vac) or the classic series (12Vdc).

Gli icemaker di Vitrifrigo sono la scelta migliore a bordo. Sono realizzati in acciaio inox AISI 316 e con specifici materiali resistenti alla corrosione, per assicurare una lunga durata. Dotata di grande capacità, la serie Icemaker è stata progettata per essere molto facile da usare. Possibilità di scegliere la nuova serie OCX2 a 230Vac, oppure la serie classica a 12Vdc.





THE NEW OCX2 SYSTEM

IL NUOVO SISTEMA OCX2

The new OCX2 version offers multiple advantages:

- 1) positive snap closure of the door to avoid accidental openings;
- 2) single fixing profile (optional), to fix the refrigerator in a partial (door outside) or total (door inside) recess position;
- 3) reversibility of the door: thanks to the measures adopted during the design phase, this is a simple and quick operation to perform;
- 4) "vent position" system integrated in the handle, allowing the door to be held ajar during periods of non-use, preventing the internal formation of mould and odours.

OCX2

La nuova versione OCX2 offre molteplici vantaggi:

- 1) chiusura positiva a scatto della porta per evitare aperture accidentali;
- 2) unico profilo di fissaggio (optional), per fissare il frigorifero in posizione ad incasso parziale (door outside) o totale (door inside);
- 3) reversibilità della porta: grazie agli accorgimenti previsti in fase di progettazione è un'operazione semplice e veloce da eseguire;
- 4) sistema "vent position" integrato nella maniglia, per consentire la parziale apertura della porta durante il periodo di non utilizzo, scongiurando la formazione interna di muffe e odori.



Door Inside / Door Outside

PORTA A FILO INTERNO / ESTERNO

The position of the door (flush or external) is achieved by simply moving the special single stainless steel fixing profile (supplied standard) with slotting for improved air circulation and cooling efficiency, supplied standard. In addition, the refrigerator can be attached to the recessed compartment from the inside.

La posizione dell'anta (a filo o esterna) si realizza tramite la semplice scorrimento dello speciale (fornito di serie) profilo unico di fissaggio in acciaio inox dotato di asolatura per una migliore circolazione d'aria ed efficienza refrigerante, fornito di serie. Inoltre, è possibile fissare il frigorifero al vano d'incasso dall'interno.



Integrated Vent Position

SISTEMA DI VENTILAZIONE INTEGRATO

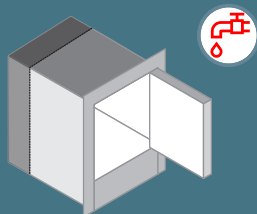
The device integrated in the Steelock handle achieves the "vent position" function, allowing the door to be held ajar, thus avoiding the formation of mould and odours during periods of non-use.

Il dispositivo integrato nella maniglia Steelock realizza la funzione di "vent position", consentendo di tenere la porta socchiusa, evitando la formazione di muffe e odori nei periodi di non utilizzo.

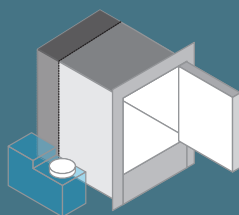


AVAILABLE VERSIONS - VERSIONI DISPONIBILI

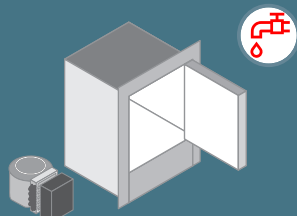
IM XT OCX2 HYDRO



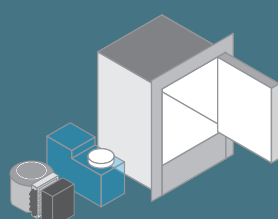
IM XT OCX2 REFILL



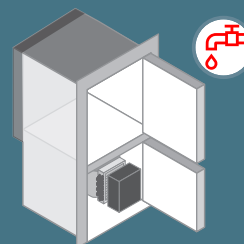
IM XR OCX2 HYDRO



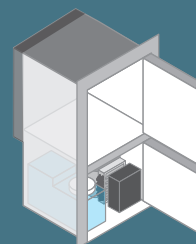
IM XR OCX2 REFILL



IM CL OCX2 HYDRO



IM CL OCX2 REFILL

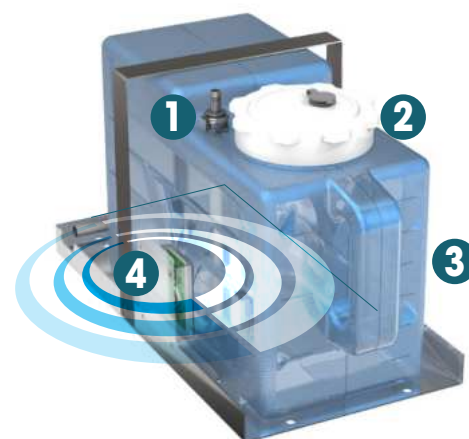


New water tank

NUOVA VASCHETTA PER L'ACQUA

New tank designed to facilitate extraction, filling and washing. (1) Quick plug for water hose - (2) 100 mm. Cap diameter - (3) Double level meter (7 liters / 1,8 gallons) - (4) Water level sensor.

Il nuovo contenitore è stato studiato per favorirne l'estrazione, il riempimento e il lavaggio. (1) Attacco rapido tubo acqua - (2) Diametro tappo 100 mm. - (3) Doppio indicatore di livello (7 litri / 1,8 galloni) - (4) Sensore livello acqua.



Waterproof led thermostat functions

FUNZIONI TERMOSTATO WATERPROOF A LED

(1) on/off ice production switch - (2) freezer mode with 3 temperature setting up to -18°C - (3) electronic water level sensor (refill version only).

(1) pulsante on/off per la produzione di ghiaccio - (2) modalità freezer con 3 settaggi di temperatura fino a -18°C - (3) sensore elettronico del livello acqua (solo versione refill).



Remotable cooling unit

UNITÀ DI REFRIGERAZIONE REMOTABILE

Up to
FINO A 1,5
mt.

The remotable external cooling unit (in models with external cooling unit) offers added available volume inside the refrigerator. In addition, it expands the installation possibilities in terms of functionality, efficiency and soundproofing.

I modelli con unità di refrigerazione esterna hanno la facoltà di remotare quest'ultima permettendo di avere maggior volume a disposizione all'interno del frigorifero ed espandendo inoltre, le possibilità di installazione, sia in termini di funzionalità che di efficienza e insonorizzazione.

OPTIONAL

UV-C Led disinfection system

SISTEMA DI SANIFICAZIONE UV-C LED

Purifies water from bacteria.

Purificazione dell'acqua dai batteri.



NEW

**IM XT OCX2 HYDRO
IM XT OCX2 REFILL**



Total volume Capacità totale	24 lt.
Net weight Peso netto	25 kg.
Power supply and nominal consumption Alimentazione e consumo nominale	230 Vac 180 W
Ice production (up to) Produzione ghiaccio (fino a)	8 kg./24h



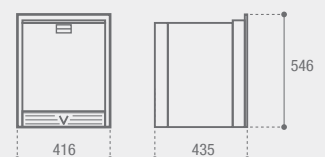
IM XT OCX2 HYDRO - versione door inside / door inside version

NEW

**IM XR OCX2 HYDRO
IM XR OCX2 REFILL**



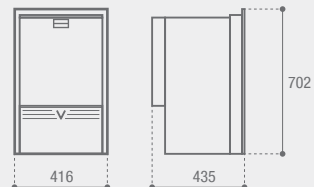
Total volume Capacità totale	24 lt.
Net weight Peso netto	27 kg.
Power supply and nominal consumption Alimentazione e consumo nominale	230 Vac 180 W
Ice production (up to) Produzione ghiaccio (fino a)	8 kg./24h



IM XR OCX2 REFILL - versione door outside / door outside version

NEW**IM CL OCX2 HYDRO**

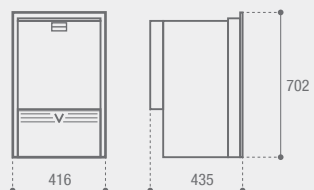
Total volume Capacità totale	24 lt.
Net weight Peso netto	23 kg.
Power supply and nominal consumption Alimentazione e consumo nominale	230 Vac 180 W
Ice production (up to) Produzione ghiaccio (fino a)	8 kg./24h



IM CL OCX2 HYDRO - versione door inside / door inside version

**NEW****IM CL OCX2 REFILL**

Total volume Capacità totale	24 lt.
Net weight Peso netto	23 kg.
Power supply and nominal consumption Alimentazione e consumo nominale	230 Vac 180 W
Ice production (up to) Produzione ghiaccio (fino a)	8 kg./24h



IM CL OCX2 REFILL - versione door outside / door outside version



ICEMAKERS SERIES

The 12Vdc Ice Maker range uses a mechanical ice-making system with a simple design concept. The inner compartment is refrigerated and the ice cubes are held in a transparent ABS plastic bin. Available in three versions: CL HYDRO and XT HYDRO which can be connected to the onboard potable water system and CL REFILL which is fitted with its own internal water reservoir.

La serie di IceMaker a 12V utilizza un sistema di fabbricazione del ghiaccio di tipo meccanico e di semplice concezione. La cassa interna è refrigerata e la vasca di contenimento dei cubetti di ghiaccio è realizzata in ABS trasparente. Disponibili sia in versione predisposta all'allacciamento idrico dell'imbarcazione (versione CL HYDRO e XT HYDRO) che in versione CL REFILL, per l'utilizzo con acqua minerale, mediante apposito serbatoio d'acqua interno.



THERMOSTAT
TERMOSTATO



PIN LATCH
CHIUSURA PIN

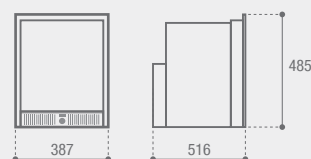


NAUTIC LATCH
CHIUSURA NAUTIC



IM XT HYDRO

Total volume Capacità totale	24 lt.
Net weight Peso netto	28 kg.
Power supply and nominal consumption Alimentazione e consumo nominale	12 Vdc 180 W
Ice production (up to) Produzione ghiaccio (fino a)	4,0 kg./24h





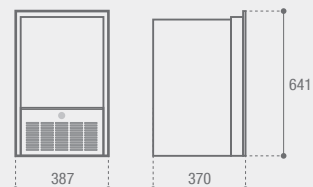
IM CL HYDRO

Total volume
Capacità totale 24 lt.

Net weight
Peso netto 26 kg.

Power supply and
nominal consumption 12 Vdc 180 W
Alimentazione e
consumo nominale

Ice production (up to)
Produzione ghiaccio (fino a) 4,0 kg./24h



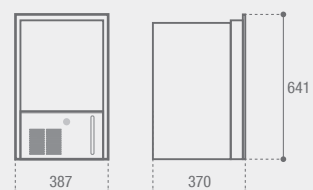
IM CL REFILL

Total volume
Capacità totale 24 lt.

Net weight
Peso netto 26 kg.

Power supply and
nominal consumption 12 Vdc 180 W
Alimentazione e
consumo nominale

Ice production (up to)
Produzione ghiaccio (fino a) 4,0 kg./24h



CHROMELOCK SERIES



FRIDGES AND FREEZERS




WITH BUILT-IN/REMOTE COOLING UNIT

FRIGORIFERI E FREEZER

CON UNITÀ INTERNA/ESTERNA

Available models *
Modelli disponibili *

Total volume
Capacità totale

	LT.			
DP2600i CHR	230	●		
DP150i CHR	150	●		
C115i - C115iA CHR	115	●	●	
C90i CHR	90	●		
C90DW CHR	90	●		●
C85i - C85iA CHR	85	●	●	
C62i CHR	62	●		
C60i - C60iA CHR	60	●	●	
C51i CHR	51	●		
C51DW CHR	51	●		●
C50i CHR	50	●	●	
C39i CHR	39	●	●	

C130L - C130LA CHR	130	●	●	
C95L - C95LA CHR	95	●	●	
C75L - C75LA CHR	75	●	●	
C75DW CHR	75	●	●	●
C42L CHR	42	●	●	
C42DW CHR	42		●	●
C25L CHR	25		●	

 Fridge/Freezer
Frigo/Congelatore

 Fridge
Frigo

 Drawer
Cassetto

NEW

* Chromelock series availability is continuously updated: please contact us at sales@vitrifrigo.com

* La disponibilità della serie Chromelock è in continua evoluzione: contattateci per gli ultimi aggiornamenti a sales@vitrifrigo.com



The new complete range

LA NUOVA GAMMA COMPLETA

The Airlock series evolves in Chromelock series: the new complete range that covers every requirement in terms of space and capacity. Ergonomic, quiet, intuitive and safe, it is able to guarantee maximum on-board comfort.

Models whose code end in "A" are equipped with a holding plate styled evaporator, which provides higher efficiencies and longer 'Off' time.

La serie Airlock evolve in Chromelock: la nuova gamma completa che copre tutte le esigenze in termini di spazio e di capacità. Ergonomica, silenziosa, intuitiva e sicura, è in grado di garantire il massimo del comfort a bordo.

I modelli il cui codice termina con la lettera "A" sono equipaggiati con un evaporatore ad accumulo di freddo, consentendone l'utilizzo anche a motore spento.

FRIDGES AND FREEZERS WITH BUILT-IN/REMOTE COOLING UNIT

FRIGORIFERI E FREEZER CON UNITÀ INTERNA/ESTERNA

CHROMELOCK



INNOVATION BELONGS TO THOSE WITH A HISTORY.

Chromelock is the evolution of a high-profile design and production experience, able to combine technological innovation and design, with the functionality and quality of Made in Italy, in the search for a unique style that successfully combines essential elegance, quality value and unique personality.

L'INNOVAZIONE APPARTIENE A CHI HA UNA STORIA.

Chromelock è l'evoluzione di un'esperienza progettuale e produttiva di alto profilo, in grado di abbinare l'innovazione tecnologica e il design, con la funzionalità e la qualità del Made in Italy, nella ricerca di uno stile unico che sa unire eleganza essenziale, valore della qualità, personalità distintiva.



INCREASED DOOR THICKNESS
ANTA A SPESSORE MAGGIORATO



**ANTI-FINGERPRINT AND SCRATCH RESISTANT
FINISH WITH SOFT TOUCH EFFECT**
FINITURA ANTI IMPRONTA ED ANTIGRAFFIO
CON EFFETTO SOFT TOUCH



REPLACEABLE SEAL
GUARNIZIONE SOSTITUIBILE



METAL FINISH HANDLE
MANIGLIA CON FINITURA
METALLIZZATA



VENT POSITION SYSTEM
SISTEMA VENT POSITION



Form ever follows function

LA FORMA SEGUE SEMPRE LA FUNZIONE

THE NEW DOOR

- lighter with the same overall dimensions and totally built-in, with a smooth and elegant side frame, 42 mm thick.
- reversible and available in two colour variants: Light Grey and Black. The Light Grey version has an elegant glossy grey laminated panel with a pearly effect, while in the Black version the panel is matt black with anti-fingerprint and scratch resistant finish with soft touch effect.
- possibility to use finishing panels from 0.8 to 3.0 mm thick, guaranteeing simple and ultra-fast installation
- removable seal for its replacement and cleaning

THE NEW CHROMELOCK HANDLE

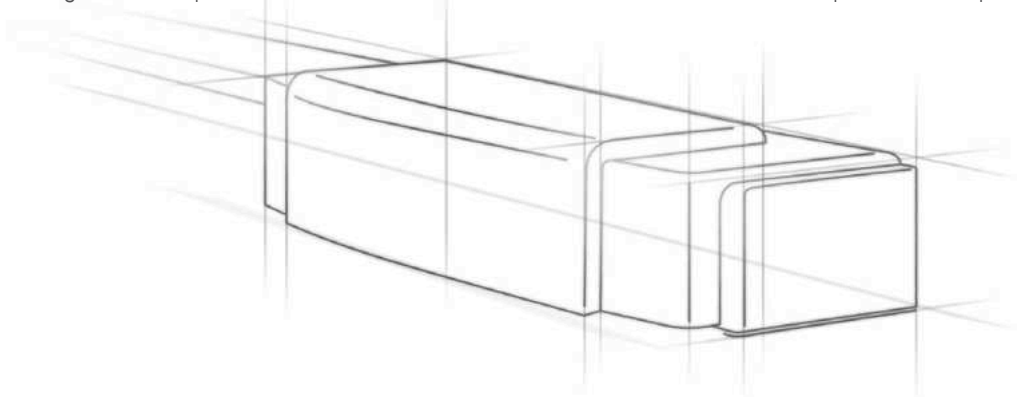
- elegant metal finish tested for over 150,000 opening and closing cycles
- carries out a positive and safe closing of the door
- integrated "vent position"

LA NUOVA PORTA

- più leggera a parità di ingombro e incasso totale, con un profilo laterale liscio ed elegante da 42 mm. di spessore
- reversibile e disponibile in due varianti cromatiche: grigia (Light Grey) e nera (Black). La versione Light Grey ha un elegante pannello laminato grigio lucido ad effetto perlato, mentre nella versione Black il pannello è nero opaco con finitura anti impronta ed antigraffio con effetto soft touch.
- possibilità di utilizzare pannelli di finitura con spessori da 0,8 a 3,0 mm., per un'installazione semplice e ultrarapida
- guarnizione estraibile per la sua sostituzione e pulizia

LA NUOVA MANIGLIA CHROMELOCK

- elegante finitura metallizzata testata per oltre 150.000 cicli di apertura e chiusura
- effettua una chiusura positiva e sicura della porta
- "vent position" incorporata





Chromelock: the smart locking system

CHROMELOCK: IL SISTEMA DI CHIUSURA INTELLIGENTE

The Chromelock system allows secure locking of the door even during intensive and extreme use of your boat.

Il sistema Chromelock permette il bloccaggio sicuro della porta anche durante l'uso intensivo ed estremo della vostra imbarcazione.



INTEGRATED VENT POSITION SISTEMA DI VENTILAZIONE INTEGRATO

A practical device incorporated in the Chromelock handle performs the "vent position" function, allowing the door to be held ajar, thus avoiding the formation of mould and odours during periods of non-use.

Un pratico dispositivo inglobato nella maniglia Chromelock realizza la funzione di "vent position", consentendo il mantenimento della porta in posizione socchiusa, evitando così la formazione di muffe e odori nei periodi di non utilizzo.

STANDARD



Double door colouring

DOPPIA COLORAZIONE DELLA PORTA

The series is available in light grey or black, to best respond to the customisation needs of your boat interiors.

La serie è disponibile in colorazione grigio perla o in colorazione nera, per una ottimale personalizzazione dell'ambiente interno della vostra imbarcazione.



BLACK

Black matte soft touch panel.
Pannello nero opaco effetto soft touch.



LIGHT GREY

Light grey glossy panel.
Pannello grigio perla effetto lucido.



Replaceable finishing panel

PANNELLO DI FINITURA SOSTITUIBILE



Finishing panels from 0.8 mm to 3.0 mm thick. Replace the panel quickly and easily using (1) interlocking flange, without the use of tools and screws.

Pannelli di finitura con spessori da 0,8 mm. a 3,0 mm. Sostituzione del pannello facile e veloce tramite (1) profilo ad incastro, senza l'uso di utensili e viti.



FRIDGE + FREEZER
FRIGORIFERO + FREEZER



FRIDGE
FRIGORIFERO



DRAWER
CASSETTO



OPTIONAL (Mounting flange / Profilo di fissaggio)



Door Inside
PORTA A FILO INTERNO



Door Outside
PORTA A FILO ESTERNO



The entire series can be installed by means of a mounting flange (optional), which by simply sliding it forward or back, allows both the totally built-in version (door inside) and the partially built-in version (door outside).

Tutta la serie ha la possibilità di essere installata mediante un profilo di fissaggio (optional), che permette tramite il suo semplice scorrimento in avanti o indietro sia la versione a incasso totale (door inside) che quella a incasso parziale (door outside).



Remotable cooling unit
UNITÀ DI REFRIGERAZIONE REMOTABILE

The remotable external cooling unit offers added available volume inside the refrigerator. In addition, it expands the installation possibilities in terms of functionality, efficiency and soundproofing.

L'unità di refrigerazione esterna remotabile permette di avere maggior volume a disposizione all'interno del frigorifero. Inoltre, espande le possibilità di installazione, sia in termini di funzionalità che di efficienza e insonorizzazione.

Up to 1,5
FINO A mt.



Dual electronic control
CENTRALINA BIVALENTE

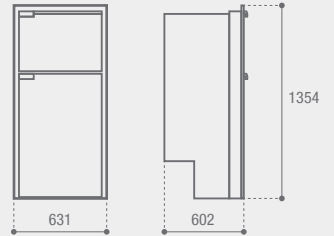
12/24 Vdc 100/240 Vac
50/60 Hz








DP2600i CHR

Total volume Capacità totale	230 lt.
Freezer compartment Vano freezer	60 lt.
Net weight Peso netto	58,5 kg.
Power supply and nominal consumption Alimentazione e consumo nominale	12/24 Vdc 65 W



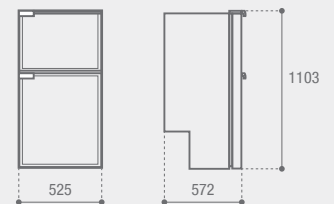
OPTIONAL
 12/24Vdc
 100-240Vac






DP150i CHR

Total volume Capacità totale	150 lt.
Freezer compartment Vano freezer	30 lt.
Net weight Peso netto	40,6 kg.
Power supply and nominal consumption Alimentazione e consumo nominale	12/24 Vdc 65 W

Dimension without fitting frame (optional)
Dimensioni senza profilo di fissaggio (optional)



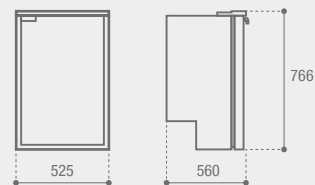




OPTIONAL
 12/24Vdc
 100-240Vac



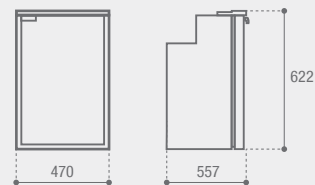
C115i - C115iA CHR

Total volume Capacità totale	115 lt.
Freezer compartment Vano freezer	17,1 lt.
Net weight Peso netto	21,2 kg.
Power supply and nominal consumption Alimentazione e consumo nominale	12/24 Vdc 45 W



C90i CHR

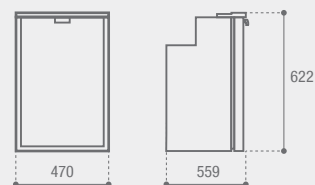
Total volume Capacità totale	90 LT.
Freezer compartment Vano freezer	9,1 LT.
Net weight Peso netto	20,6 kg.
Power supply and nominal consumption Alimentazione e consumo nominale	12/24 Vdc 45 W

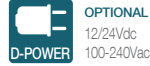


 H max
280 mm.

C90DW CHR

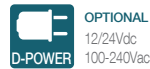
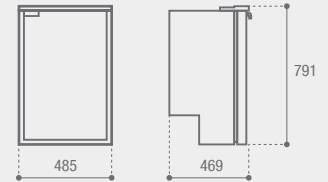
Total volume Capacità totale	90 lt.
Freezer compartment Vano freezer	9,1 lt.
Net weight Peso netto	23,6 kg.
Power supply and nominal consumption Alimentazione e consumo nominale	12/24 Vdc 45 W





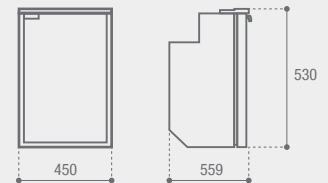
C85i - C85iA CHR

Total volume Capacità totale	85 lt.
Freezer compartment Vano freezer	12,8 lt.
Net weight Peso netto	23,3 kg.
Power supply and nominal consumption Alimentazione e consumo nominale	12/24 Vdc 45 W



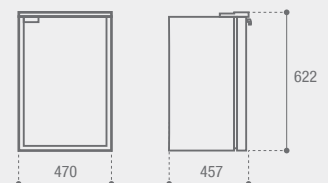
C62i CHR

Total volume Capacità totale	62 lt.
Freezer compartment Vano freezer	4,5 lt.
Net weight Peso netto	16,8 kg.
Power supply and nominal consumption Alimentazione e consumo nominale	12/24 Vdc 40 W



C60i - C60iA CHR

Total volume Capacità totale	60 lt.
Freezer compartment Vano freezer	10,2 lt.
Net weight Peso netto	18,6kg.
Power supply and nominal consumption Alimentazione e consumo nominale	12/24 Vdc 40 W



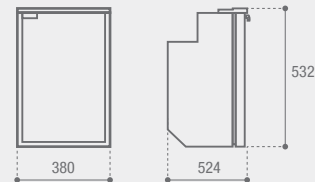


Fridge
Freezer

OPTIONAL
12/24Vdc
100-240Vac

C51i CHR

Total volume Capacità totale	51 lt.
Freezer compartment Vano freezer	3,6 lt.
Net weight Peso netto	16 kg.
Power supply and nominal consumption Alimentazione e consumo nominale	12/24 Vdc 40 W



H max
250 mm.

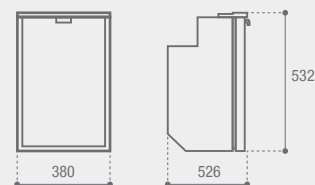


Fridge
Freezer

OPTIONAL
12/24Vdc
100-240Vac

C51DW CHR

Total volume Capacità totale	51 lt.
Freezer compartment Vano freezer	3,6 lt.
Net weight Peso netto	19 kg.
Power supply and nominal consumption Alimentazione e consumo nominale	12/24 Vdc 40 W



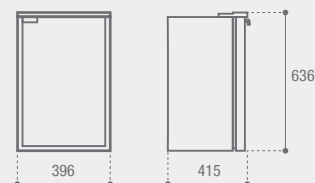
OPTIONAL
Fridge

Fridge
Freezer

OPTIONAL
12/24Vdc
100-240Vac

C50i CHR

Total volume Capacità totale	51 lt.
Freezer compartment Vano freezer	3,6 lt.
Net weight Peso netto	15,7 kg.
Power supply and nominal consumption Alimentazione e consumo nominale	12/24 Vdc 40 W



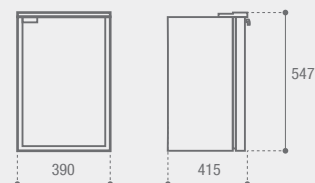
OPTIONAL
Fridge

Fridge
Freezer

OPTIONAL
12/24Vdc
100-240Vac

C39i CHR

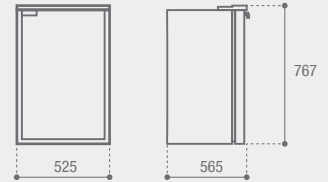
Total volume Capacità totale	39 lt.
Freezer compartment Vano freezer	3,6 lt.
Net weight Peso netto	16 kg.
Power supply and nominal consumption Alimentazione e consumo nominale	12/24 Vdc 31 W





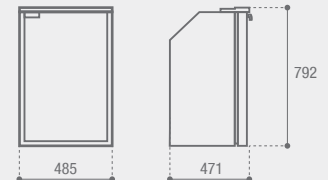
C130L - C130LA CHR

Total volume Capacità totale	130 lt.
Freezer compartment Vano freezer	17,1 lt.
Net weight Peso netto	25,2 kg.
Power supply and nominal consumption Alimentazione e consumo nominale	12/24 Vdc 45 W



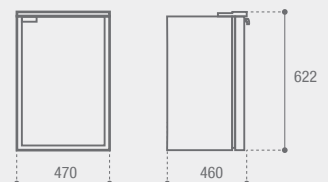
C95L - C95LA CHR

Total volume Capacità totale	95 lt.
Freezer compartment Vano freezer	12,8 lt.
Net weight Peso netto	22,3 kg.
Power supply and nominal consumption Alimentazione e consumo nominale	12/24 Vdc 45 W



C75L - C75LA CHR

Total volume Capacità totale	75 lt.
Freezer compartment Vano freezer	10,2 lt.
Net weight Peso netto	18,6 kg.
Power supply and nominal consumption Alimentazione e consumo nominale	12/24 Vdc 40 W



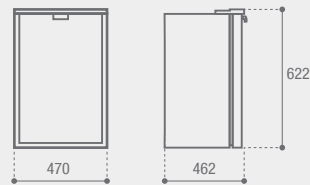


 H max
330 mm.



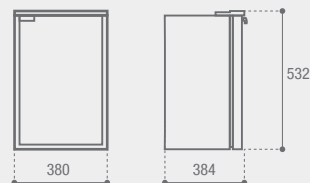
C75DW CHR

Total volume Capacità totale	75 lt.
Freezer compartment Vano freezer	10,2 lt.
Net weight Peso netto	21,6 kg.
Power supply and nominal consumption Alimentazione e consumo nominale	12/24 Vdc 40 W



C42L CHR

Total volume Capacità totale	42 lt.
Freezer compartment Vano freezer	3,6 lt.
Net weight Peso netto	15 kg.
Power supply and nominal consumption Alimentazione e consumo nominale	12/24 Vdc 31 W

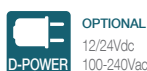
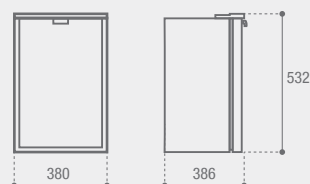


 H max
420 mm.



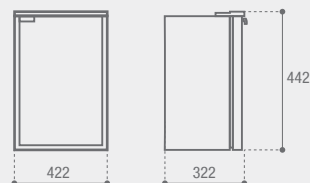
C42DW CHR

Total volume Capacità totale	42 lt.
Net weight Peso netto	18 kg.
Power supply and nominal consumption Alimentazione e consumo nominale	12/24 Vdc 31 W



C25L CHR

Total volume Capacità totale	25 lt.
Net weight Peso netto	12 kg.
Power supply and nominal consumption Alimentazione e consumo nominale	12/24 Vdc 34 W



TOP LOADING SERIES



TOP LOADING

FRIDGES AND FREEZERS

POZZETTO

FRIGORIFERI E FREEZER

Available models Modelli disponibili	Total volume Capacità totale
	LT.
TL43	40
TL35RF	34
TL20RF	20
TL37L - T37LA	37
TL37BT	37
TL40L	40
TL160	160
TL180	180



Make the most of your space

USA AL MEGLIO IL TUO SPAZIO

Built-in fridges/freezers with top opening (top loading) are designed to be specially housed in confined spaces.

They offer excellent performance even in extreme temperature conditions and, due to their low energy absorption, are particularly suitable for operation with solar energy.

I frigoriferi/freezer da incasso con apertura dall'alto (a pozzetto) sono progettati per essere alloggiati appositamente in spazi ristretti.

Offrono eccellenti prestazioni anche in condizioni di temperature estreme e, per il loro basso assorbimento di energia, sono particolarmente indicati per il funzionamento con energia solare.

TOP LOADING FRIDGES AND FREEZERS

POZZETTO FRIGORIFERI E FREEZER





Small products, great performances

PICCOLI PRODOTTI, GRANDI PRESTAZIONI

The new 40-litre model (TL43) boasts significant operating characteristics: it can operate for more than 3 days, in a continuous cycle, connected to a battery of only 100 A/h. Equipped with two food storage trays with different capacities, it allows the storage of both small and large bottles in the space below.

The digital membrane LED thermostat, internal LED light and remote cooling unit make it an unprecedented top-of-the-range product.

The TL20RF model, with a 20-litre capacity and external cooling unit, differs in terms of the interior made completely of stainless steel.

The series includes the TL37L model with stainless steel interior and the TL40L model with thermoformed plastic interior, combined with the visible resin finish of the cabinet, making it suitable for built-in installation only.

Il nuovo modello da 40 litri (TL43) raggiunge delle caratteristiche di funzionamento davvero interessanti: può funzionare per oltre 3 giorni, a ciclo continuo, collegato ad una batteria di soli 100 A/h. Dotato di due vaschette per la conservazione del cibo con capienze differenziate, consente lo stivaggio di bottiglie sia piccole che grandi nello spazio sottostante. Il termostato digitale LED a membrana, la luce interna LED e l'unità refrigerante remotabile ne configurano un top di gamma senza precedenti.

Il modello TL20RF con capacità di 20 litri e unità refrigerante esterna si differenzia per l'interno completamente in acciaio inox.

La serie include il modello TL37L con l'interno in acciaio inox e il modello TL40L con l'interno in materiale plastico termoformato e la finitura con resina a vista del mobile che lo rende adatto per le sole installazioni ad incasso.



FRIDGE + FREEZER

FRESH AND FROZEN
FOOD AND BEVERAGE





Cools faster, Lasts longer

RAFFREDDA PIÙ VELOCEMENTE, DURA PIÙ A LUNGO

Temperature control with Innovative Membrane LED Digital thermostat
Controllo della temperatura con nuovo termostato LED a membrana



TURBO MODE Fast chill set point temperature
Veloce raggiungimento della temperatura impostata



NIGHT MODE Lowest noise level and reduced consumption during night time
Funzione di riduzione del rumore e del consumo energetico



LED LIGHT High bright internal Led light system
Illuminazione interna a Led ad alta luminosità



EASY FIX Inside out fixings and concealed lid fixings for easy installation
Fissaggi interni nascosti per una facile ed elegante installazione



RE-SEAL Removable seal and easy replacement
Guarnizione rimovibile e facile sostituzione



IDEAL TO RUN FROM SOLAR POWER 24/7

IDEALE PER UN FUNZIONAMENTO H24 CON ALIMENTAZIONE A CELLE SOLARI



SAVING YOUR MONEY

RISPARMIO ECONOMICO



SAVING THE ENVIRONMENT

SALVAGUARDIA DELL'AMBIENTE



ULTRALIGHT
14,5 KG.
ULTRALEGGERO



3 + DAYS

RUNS FOR 3 OR MORE DAYS ON A 100 A/H LEISURE BATTERY

AUTONOMIA DI OLTRE 3 GIORNI CON UNA NORMALE BATTERIA DI SOLI 100 A/H

OPTIONAL



Remotable cooling unit

UNITÀ DI REFRIGERAZIONE REMOTABILE

The remotable external cooling unit offers added available volume inside the refrigerator. In addition, it expands the installation possibilities in terms of functionality, efficiency and soundproofing.

L'unità di refrigerazione esterna remotabile permette di avere maggior volume a disposizione all'interno del frigorifero. Inoltre, espande le possibilità di installazione, sia in termini di funzionalità che di efficienza e insonorizzazione.

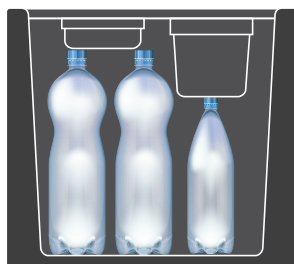


UP TO FINO A 1,5 mt.



Smart storage system

GESTIONE DELLO SPAZIO INTELLIGENTE



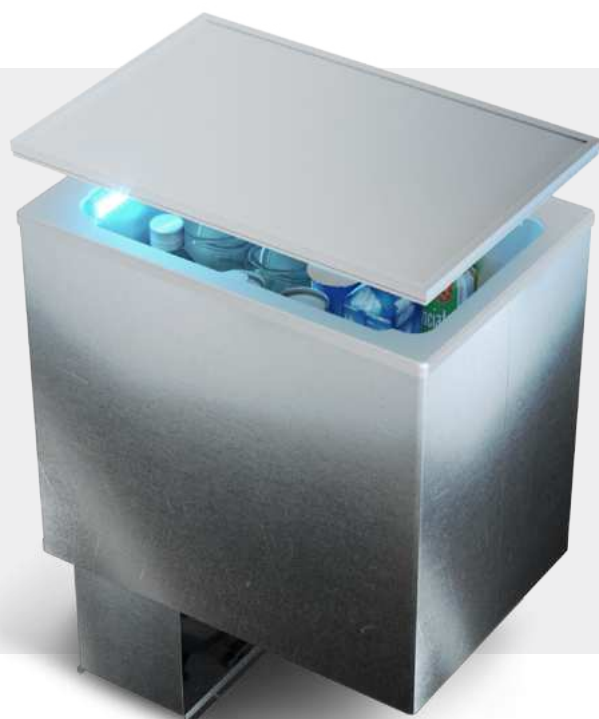
H max
265 mm.

H max
200 mm.



TL43 is equipped with two different depths removable food containers, to allow the storage in the underlying volume of bottles with different capacities.

TL43 è equipaggiato con due contenitori amovibili per il cibo a profondità differenziata, in modo da permettere lo stivaggio nel volume sottostante di bottiglie con diversa capacità.

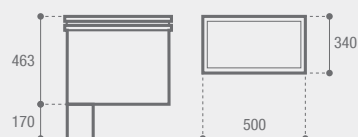


TL43

Total volume Capacità totale	40 lt.
Net weight Peso netto	14,5 kg.
Power supply and nominal consumption Alimentazione e consumo nominale	12/24 Vdc 45 W



+10 / **-10**



OPTIONAL
12/24Vdc
D-POWER 100-240Vac



External drain

SCARICO ESTERNO

Condensate conveyor outside the vehicle.

Convogliatore della condensa all'esterno del veicolo.



Dual electronic control

CENTRALINA BIVALENTE

12/24 Vdc 100-240 Vac - 50/60 Hz



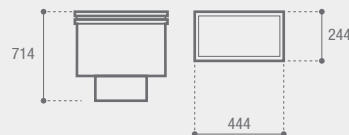


D-POWER OPTIONAL
12/24Vdc
100-240Vac

TL35RF

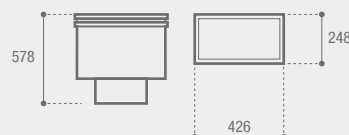
NEW

Total volume Capacità totale	34 lt.
Net weight Peso netto	15 kg.
Power supply and nominal consumption Alimentazione e consumo nominale	12/24 Vdc 28 W



TL20RF

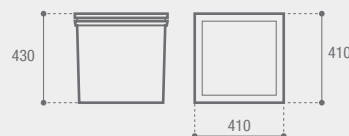
Total volume Capacità totale	20 lt.
Net weight Peso netto	17 kg.
Power supply and nominal consumption Alimentazione e consumo nominale	12/24 Vdc 28 W
Internal temperature at 25°C ambient temperature Temperatura interna a 25°C ambiente	+4 °C



TL37L - T37LA

Total volume Capacità totale	37 lt.
Net weight Peso netto	15 kg.
Power supply and nominal consumption Alimentazione e consumo nominale	12/24 Vdc 45 W
Internal temperature at 25°C ambient temperature Temperatura interna a 25°C ambiente	+4 °C

TL37BT
Available also
as freezer version
Disponibile anche
in versione congelatore



D-POWER OPTIONAL
12/24Vdc
100-240Vac



D-POWER OPTIONAL
12/24Vdc
100-240Vac

TL40L

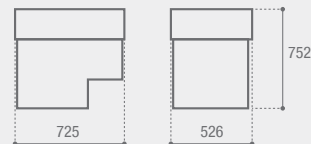
Total volume Capacità totale	40 lt.
Net weight Peso netto	10 kg.
Power supply and nominal consumption Alimentazione e consumo nominale	12/24 Vdc 31 W
Internal temperature at 25°C ambient temperature Temperatura interna a 25°C ambiente	+4 °C



D-POWER OPTIONAL
12/24Vdc
100-240Vac

TL160RF TL160BT

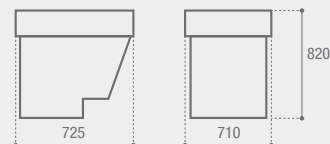
Total volume Capacità totale	160 lt.
Net weight Peso netto	29 kg.
Power supply and nominal consumption Alimentazione e consumo nominale	12/24 Vdc 43 W
Internal temperature at 25°C ambient temperature Temperatura interna a 25°C ambiente	TL 160RF +4 °C TL 160BT -12 °C



D-POWER OPTIONAL
12/24Vdc
100-240Vac

TL180RF

Total volume Capacità totale	180 lt.
Net weight Peso netto	39 kg.
Power supply and nominal consumption Alimentazione e consumo nominale	12/24 Vdc 43 W
Internal temperature at 25°C ambient temperature Temperatura interna a 25°C ambiente	+4 °C



FREEZER SERIES



FREEZERS

CONGELATORI

Available models * Modelli disponibili *	Total volume Capacità totale
	LT.
C110BT CHR	108
C55BT CHR	56
C35BT CHR	33
C30BT CHR	30

* Chromelock series availability is continuously updated: please contact us at sales@vitfrigo.com

* La disponibilità della serie Chromelock è in continua evoluzione: contattateci per gli ultimi aggiornamenti a sales@vitfrigo.com



1, 2, or 3 freezer compartments

CONGELATORI AD 1, 2 O 3 VANI DEDICATI

Vitfrigo freezers are equipped with remote cooling units (to be installed in ventilated areas) with stainless steel or aluminium interiors and evaporators installed within the box.

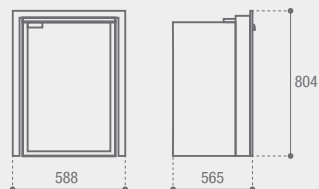
Congelatori con gruppo refrigerante esterno (da installarsi in vano sufficientemente ventilato), con interno in acciaio inox o alluminio ed evaporatore a scomparsa (all'interno dell'isolamento).



D-POWER **OPTIONAL**
12/24Vdc
100-240Vac

C110BT CHR

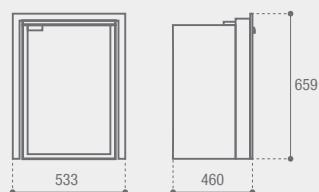
Total volume Capacità totale	108 lt.
Net weight Peso netto	34,2 kg.
Power supply and nominal consumption Alimentazione e consumo nominale	12/24 Vdc 52 W

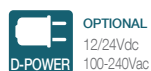


D-POWER **OPTIONAL**
12/24Vdc
100-240Vac

C55BT CHR

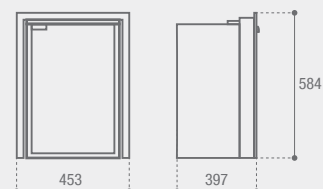
Total volume Capacità totale	56 lt.
Net weight Peso netto	26,1 kg.
Power supply and nominal consumption Alimentazione e consumo nominale	12/24 Vdc 38 W





C35BT CHR

Total volume Capacità totale	33 lt.
Net weight Peso netto	19,3 kg.
Power supply and nominal consumption Alimentazione e consumo nominale	12/24 Vdc 38 W



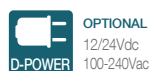
Remotable cooling unit

UNITÀ DI REFRIGERAZIONE REMOTABILE

Up to **1,5**
FINO A **mt.**

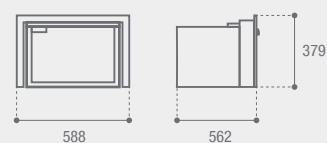
The remotable external cooling unit offers added available volume inside the refrigerator. In addition, it expands the installation possibilities in terms of functionality, efficiency and soundproofing.

L'unità di refrigerazione esterna remotabile permette di avere maggior volume a disposizione all'interno del frigorifero. Inoltre, espande le possibilità di installazione, sia in termini di funzionalità che di efficienza e insonorizzazione.



C30BT CHR

Total volume Capacità totale	30 lt.
Net weight Peso netto	22,2 kg.
Power supply and nominal consumption Alimentazione e consumo nominale	12/24 Vdc 38 W



HOME COMFORT



COMBINED

FRIDGES AND FREEZERS

COMBINATI

FRIGORIFERI E FREEZER

Available models Modelli disponibili	Total volume Capacità totale
	LT.
C270DP	271
C220DP	220
C190MP	190
C150MP	125



Feel at home

SENTIRSI A CASA

Dedicated to large boats, the combined fridge-freezers, both single-door and double-door, solve any need for large refrigerated spaces on-board. Ideal for anyone seeking the practicality, functionality and convenience of their home refrigerator.

Dedicati ai natanti di grandi dimensioni, i combinati frigo-freezer sia monoporta che a doppia porta risolvono qualsiasi esigenza di avere a bordo ampi spazi refrigerati. Per tutti coloro che non vogliono farsi mancare la praticità, la funzionalità e la comodità del proprio frigorifero domestico.



Fresh and crisp fruit and vegetables

FRUTTA E VERDURA FRESCHE E CROCCANTI

The perfect control of humidity levels, together with minimised temperature variations inside the fruit and vegetable drawer, mean that stored food is kept fresh and crisp.

Il perfetto controllo dei livelli di umidità, unitamente a variazioni di temperatura minimizzate all'interno del cassetto frutta e verdura, fanno sì che si riescano a conservare alimenti sempre freschi e croccanti.



OPTIONAL



Dual electronic control

CENTRALINA BIVALENTE

12/24 Vdc 100-240 Vac
50/60 Hz



Perfect internal sanitisation

PERFETTA IGIENIZZAZIONE INTERNA

The interior walls of the refrigerators are treated by a natural system to inhibit the onset of mould and bacteria and to protect the integrity of food, while the innovative gaskets ensure the protection of even the outermost areas of the refrigerator.

Le pareti interne dei frigoriferi sono trattate mediante un sistema naturale per inibire l'insorgere di muffe e batteri e proteggere l'integrità degli alimenti, mentre le innovative guarnizioni assicurano



High potential lighting

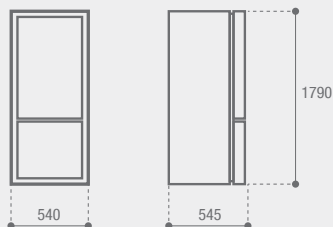
ILLUMINAZIONE AD ALTO POTENZIALE

The internal lighting system includes the standard installation of a very bright top light making sure all parts of the refrigerator are properly lit.

Il sistema di illuminazione interna prevede l'installazione di serie di una plafoniera ad alta luminosità che garantisce il raggiungimento della luce in qualsiasi punto del frigorifero.

C270DP

Total volume Capacità totale	271 lt.
Freezer compartment Vano freezer	78 lt.
Net weight Peso netto	56 kg.
Power supply and nominal consumption Alimentazione e consumo nominale	12/24 Vdc 61 W



OPTIONAL
12/24Vdc
100-240Vac

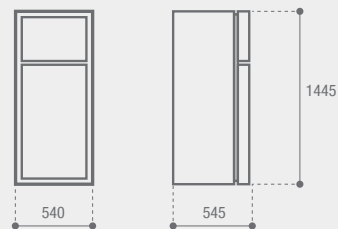




D-POWER OPTIONAL
12/24Vdc
100-240Vac

C220DP

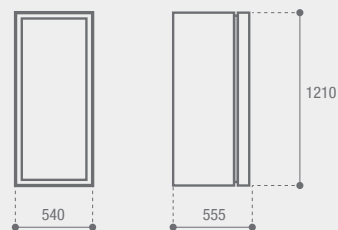
Total volume Capacità totale	220 lt.
Freezer compartment Vano freezer	44 lt.
Net weight Peso netto	43,5 kg.
Power supply and nominal consumption Alimentazione e consumo nominale	12/24 Vdc 56 W



D-POWER OPTIONAL
12/24Vdc
100-240Vac

C190MP

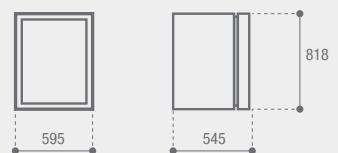
Total volume Capacità totale	200 lt.
Freezer compartment Vano freezer	19 lt.
Net weight Peso netto	39 kg.
Power supply and nominal consumption Alimentazione e consumo nominale	12/24 Vdc 56 W



D-POWER OPTIONAL
12/24Vdc
100-240Vac

C150MP

Total volume Capacità totale	125 lt.
Freezer compartment Vano freezer	15 lt.
Net weight Peso netto	29 kg.
Power supply and nominal consumption Alimentazione e consumo nominale	12/24 Vdc 58 W



WINECELLARS



WINECELLARS

CANTINETTE

Available models

Modelli disponibili

Total volume

Capacità totale

DCW 95

32

DCW 62

18

DCW 46

10



For for real connoisseurs

PER VERI INTENDITORI

Entertaining friends and family is a high priority aboard and it is a special status to pay considerable attention to the proper preservation of your wine collection.

Intrattenere gli amici e la famiglia rappresenta spesso un'alta priorità a bordo e rappresenta uno status speciale dedicare notevole attenzione alla giusta conservazione della propria collezione di vini.



IDEAL TEMPERATURE

The available wine cellar models have a capacity of 10, 18 or 32 bottles, with darkened glass (protection against UV rays) and brushed stainless steel finish. Ideal for storing bottles of wine even for long periods.

The temperature settings are adjusted by digital thermostat (+4°C +18°C).

TEMPERATURA IDEALE

I modelli di cantinette disponibili hanno capacità di 10, 18 e 32 bottiglie, anta con vetro oscurato (protezione raggi UV) e finitura in acciaio inox spazzolato.

Ideali per conservare le bottiglie di vino anche per lunghi periodi, hanno la regolazione della temperatura mediante termostato digitale (+4°C +18°C).



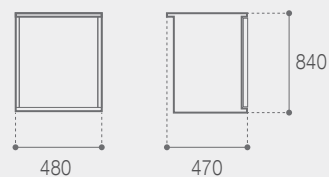
DCW95 - DCW62 - DCW46

	DCW 95	DCW 62	DCW 46
Total volume Capacità totale	lt. 95	62	46
Net weight Peso netto	kg. 26	21	18
Power supply and nominal consumption Alimentazione e consumo nominale	12/24Vdc 100-240Vac 50/60Hz		
Bottle number Numero bottiglie	32	18	10

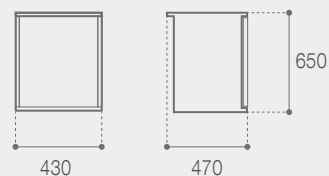
Non-reversible door / Porta non reversibile



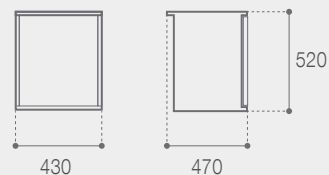
DCW95



DCW62



DCW46



H max: 315 mm.
Ø max: 76 mm.

PORTABLES



PORTABLES

FRIDGES AND FREEZERS

PORTATILI

FRIGORIFERI E FREEZER

Available models Modelli disponibili	Total volume Capacità totale
---	---------------------------------

C65L - C65D	65 lt.
C41L - C41D	41 lt.
C29M - C29D	29 lt.

VFREE SERIES

VF65P	65 lt.
VF55P	55 lt.
VF45P	45 lt.
VF35P	35 lt.
VF16P	16 lt.



Superior portability

PORTABILITÀ DI LIVELLO SUPERIORE

The portable refrigerators and freezers by Vitrifrigo offer excellent portability features, both in terms of reduced consumption and operational silence, and in terms of range and speed of reaching the desired temperature. Efficiency, versatility and compactness: with capacities ranging from 16 to 65 litres, they are a valid alternative to a traditional fridge/freezer.

I frigoriferi e freezer portatili Vitrifrigo offrono eccellenti caratteristiche di portabilità, sia in consumi ridotti e di silenziosità operativa che in termini di range e velocità di raggiungimento della temperatura desiderata. Efficienza, versatilità e compattezza: con capacità che vanno da 16 fino a 65 litri, rappresentano una valida alternativa ad un frigo/freezer di tipo tradizionale.



Bring them everywhere!

PORTATELI OVUNQUE!

Portable refrigerators provide foldable handles for easy carrying. Handles are installed, using sturdy metal pins, to avoid sudden breakage.

Comfort and safety are, once more, an indispensable combination.

I frigoriferi portatili sono dotati di serie di maniglie per un agevole trasporto.

Per i modelli con maniglie pieghevoli, il fissaggio e la rotazione di queste ultime avviene mediante robusti perni in acciaio che mettono al riparo da rotture improvvise. Comfort e sicurezza sono, ancora una volta, un binomio indissolubile.



Temperature under control

TEMPERATURA SOTTO CONTROLLO

Depending on the type of portable refrigerator, there are thermostat choices for the maintenance of desired internal temperatures.

A seconda della tipologia di frigorifero portatile è possibile scegliere la soluzione che più si addice alle esigenze personali, per mantenere la temperatura interna del frigorifero costantemente monitorata.

(a) Termostato meccanico / Mechanical thermostat

(b) Termostato a Led / LED thermostat

(c) Termostato digitale / Digital thermostat





Organize your free time

ORGANIZZATE IL VOSTRO TEMPO LIBERO

Portable refrigerators are equipped with a removable coated wire basket, useful for easily loading and removing food and drinks.

The standard locking bracket allows to keep the refrigerator in place while underway (except for C65).

A 12Vdc cord is supplied for connecting the refrigerator to the car battery.

I frigoriferi portatili sono dotati di serie di un pratico cestello interno removibile a fili d'acciaio, estremamente utile per introdurre o estrarre facilmente tutto il contenuto del frigorifero.

La staffa di fissaggio in dotazione standard dà la possibilità di ancorare saldamente e velocemente il frigorifero in uno spazio predeterminato (eccetto C65).

In dotazione anche il cavo per l'alimentazione a batteria, con la presa universale per l'accendisigari.

Removable basket - Cestello removibile



Locking bracket - Staffa di fissaggio



12Vdc plug - Presa per alimentazione a 12 Vdc



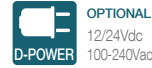
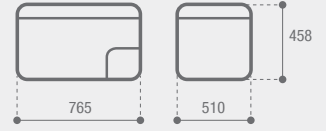
Internal led light - Luce interna a Led



°C + 10 - 20

C65L - C65D

Total volume Capacità totale	65 lt.
Net weight Peso netto	24 kg.
Power supply and nominal consumption Alimentazione e consumo nominale	12/24 Vdc 45 W

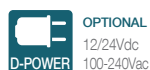


C65L - LED thermostat - Termostato a Led
C65D - Digital thermostat - Termostato digitale





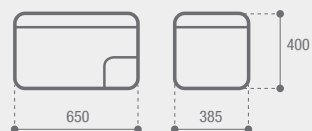
°C + 10 - 10



OPTIONAL
12/24Vdc
100-240Vac

C41L - C41D

Total volume Capacità totale	41 lt.
Net weight Peso netto	17 kg.
Power supply and nominal consumption Alimentazione e consumo nominale	12/24 Vdc 43 W



C41L - LED thermostat - Termostato a Led
C41D - Digital thermostat - Termostato digitale



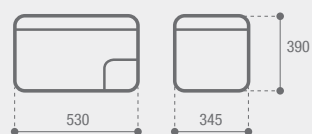
°C + 10 - 15



OPTIONAL
12/24Vdc
100-240Vac

C29M - C29D

Total volume Capacità totale	29 lt.
Net weight Peso netto	15 kg.
Power supply and nominal consumption Alimentazione e consumo nominale	12/24 Vdc 48 W



C29M - Mech. thermostat - Termostato mecc.
C29D - Digital thermostat - Termostato digitale



C29M



C29D

C29D is available only as 12/24Vdc 100-240Vac 50/60Hz

C29D è disponibile solo in versione 100-240Vac 50/60Hz







ALL THE CAPACITY YOU NEED

TUTTA LA CAPIENZA CHE TI SERVE

The VFREE series ensures ideal cooling performance even at extremely high ambient temperatures, thanks to the use of state-of-the-art compressors, with extremely low energy consumption. From the smallest of the range, the VF16P featuring 16 litres of lightness, usable in a wide variety of recreational situations, up to the generous VF65P, offering 65 litres, perfectly capable of replacing a traditional type refrigerator, the Vfree series offers refrigeration and freezing from +10 up to -22°C with operation at 12/24 Vdc 100-240Vac 50/60Hz combined with extremely reduced consumption, thereby making it an excellent travel companion even in the presence of a photovoltaic system.

La serie VFREE assicura prestazioni di raffreddamento ideali anche a temperature ambiente estremamente elevate, grazie all'utilizzo di compressori di ultima generazione, a fronte di un consumo energetico estremamente basso. Dal più piccolo della serie, il VF16P, 16 litri di leggerezza, utilizzabile nelle più svariate situazione tipiche del tempo libero, sino al generoso VF65P, un 65 litri, capace di sostituire in maniera perfetta anche un frigorifero di tipo tradizionale, la serie Vfree offre refrigerazione e congelazione da +10 sino a -22 °C con funzionamento a 12/24 Vdc 100-240Vac 50/60Hz a fronte di consumi davvero ridotti, sì da farne un compagno di viaggio eccellente anche in presenza di impianto fotovoltaico.





Practicality is not an optional!

LA PRATICITÀ NON È UN OPTIONAL

The VFREE series has been designed to offer maximum practicality in daily use:

- two sturdy handles facilitate lifting and transportation (the VF16P is equipped with a handy strap for carrying on the shoulder);
- the lid can be opened on both sides and, if necessary, is completely removable (with the exception of the VF16P);
- the basket is removable and its internal volume can be compartmentalised to optimise the storage of food and drinks (with the exception of the VF16P);
- a wide range of usable power supplies: from 12/24Vdc to 100-240Vac 50/60Hz;
- the interior lighting with high brightness blue LEDs allows use of the fridge in situations of complete darkness.

La serie VFREE è stata pensata per offrire il massimo della praticità nell'utilizzo quotidiano:

- due robusti maniglioni agevolano il sollevamento e il trasporto (il VF16P ha in dotazione una tracolla per il trasporto a spalla);
- il coperchio è apribile da entrambi i lati e, all'occorrenza, completamente amovibile (ad eccezione del VF16P);
- il cestello è estraibile e il suo volume interno divisibile per ottimizzare lo stivaggio di cibo e bevande (ad eccezione del VF16P);
- un ampio range di alimentazioni utilizzabili: da 12/24Vdc a 100-240Vac 50/60Hz;
- l'illuminazione interna a led azzurrati ad alta luminosità consente l'utilizzo del frigo in situazioni di totale assenza di luce.



Precise and total control

CONTROLLO PRECISO E TOTALE

The digital control panel allows quick access to the functions of the VFREE series: all information regarding the temperature set points are shown on the high brightness LED display.

A convenient USB socket is available for a direct power supply and for the charging of devices such as smartphones, tablets, etc.

In addition, the "Emergency override" function automatically blocks the thermostat in the event of a malfunction, allowing the fridge to operate in complete autonomy.

Il pannello di controllo digitale consente il rapido accesso alle funzioni della serie VFREE: tutte le informazioni relativamente ai set point della temperatura vengono visualizzate sul display led ad alta luminosità.

Disponibile una comoda presa USB per l'alimentazione e la ricarica diretta di dispositivi quali smartphone, tablet, ecc.

Inoltre, la funzione "Emergency override" blocca automaticamente il termostato in caso di malfunzionamento, lasciando che il frigo funzioni in completa autonomia.





Full set of accessories

RICCA DOTAZIONE DI ACCESSORI

The VFREE series has an interior divided into two compartments with varying capacity, thus offering a practical and smart way to contain products that need to be stored fresh.

VF35P - VF45P - VF55P - VF65P

Internal view - vista dell'interno



Power supply cable - Cavi per il collegamento alla rete elettrica



La serie VFREE ha l'interno suddiviso in due scomparti a capienza differente, suggerendo così una modalità pratica e intelligente circa l'alloggiamento dei prodotti da conservare al fresco.

VF16P

Internal view - vista dell'interno



shoulder bag - tracolla
external power supply - alimentatore esterno 100-240Vac 50/60Hz





°C + 10 - 22

VF65P



Total volume Capacità totale	65 lt.
Net weight Peso netto	23 kg.
Power supply and nominal consumption Alimentazione e consumo nominale	12/24 Vdc 100-240Vac 50/60Hz 55 W



°C + 10 - 22

VF55P



Total volume Capacità totale	55 lt.
Net weight Peso netto	22 kg.
Power supply and nominal consumption Alimentazione e consumo nominale	12/24 Vdc 100-240Vac 50/60Hz 55 W





°C + 10 - 22

VF45P



Total volume Capacità totale	45 lt.
Net weight Peso netto	20,5 kg.
Power supply and nominal consumption Alimentazione e consumo nominale	12/24 Vdc 100-240Vac 50/60Hz 55 W



°C + 10 - 22

VF35P



Total volume Capacità totale	35 lt.
Net weight Peso netto	19,5 kg.
Power supply and nominal consumption Alimentazione e consumo nominale	12/24 Vdc 100-240Vac 50/60Hz 55 W



°C + 10 - 18

VF16P



Total volume Capacità totale	16 lt.
Net weight Peso netto	8 kg.
Power supply and nominal consumption Alimentazione e consumo nominale	12/24 Vdc 100-240Vac 50/60Hz (*) 45 W

(*) with external power supply
con alimentatore esterno



PORTABLES

FRIDGES AND FREEZERS

FRIGORIFERI E FREEZERS

PORTATILI

NEW **V** **PLUS**
FREE



SMART APP CONTROL



Detachable lid with integrated cutting board

Coperchio amovibile con tagliere interno

High brightness white LED light

Luce LED bianca ad alta luminosità



BATTERY - OPTIONAL

15600 mAh detachable lithium ion battery; can keep 4-6 hours of battery life for outdoor use

Batteria agli ioni di litio rimovibile da 15600 mAh; può garantire un'autonomia di 4-6 ore in uso esterno

12/24Vdc 100-240Vac for indoor/outdoor

12/24Vdc 100-240Vac per utilizzo in ambiente interno o esterno

Anti-shake, anti-vibration and incline operation up to 45° angle in short time

Funzionamento antivibrante con inclinazioni fino a 45° in breve tempo



Dual compartment with individual temperature control

Doppio compartimento con temperature indipendenti

Sturdy telescoping handle

Robusto manico telescopico

°C +20 -20



Big wheels

Ruote grandi



ANYWHERE, ANYTIME. FREE

OVUNQUE, SEMPRE. LIBERI

The VFREE PLUS series takes the portable fridge-freezer experience beyond all limits. From the small VFC15, 15 liters to be positioned under the armrest, up to the VFD115: 115 liters divided into two independent compartments with different temperatures, to be comfortably transported by means of sturdy wheels and telescopic handle.

A very cool series, usable by a free app, but above all with incomparable autonomy. Thanks to the high-performance lithium-ion battery (optional), interchangeable and therefore replaceable at any time, and thanks also to the possibility of direct connection with the photovoltaic panel, there is the possibility of an external use without any limit.

La serie VFREE PLUS porta l'esperienza del frigo-freezer portatile oltre ogni limite. Dal piccolo VFC15, 15 litri da posizionarsi sotto il bracciolo, fino al VFD115: 115 litri ripartiti in due scompartimenti indipendenti con temperature differenziate, da trasportarsi comodamente mediante robuste ruote e manico telescopico.

Una serie al passo con i tempi, gestibile mediante app scaricabile gratuitamente, ma soprattutto dotata di un'autonomia senza precedenti. Grazie alla performante batteria agli ioni di litio (optional), intercambiabile e quindi sostituibile in qualunque momento e grazie anche alla possibilità di connessione diretta col pannello fotovoltaico, si ha la possibilità di un utilizzo in esterni senza alcun limite di tempo.



Designed to offer the top!

PENSATA PER OFFRIRE IL MASSIMO!

The VFREE series has been designed to offer maximum practicality in daily use: a range that covers any need, both in terms of capacity and use. Each model is shockproof and designed for an an heavy duty use.

SPECIFIC PARTS: wire storage basket, interior drain plug, LED light, plastic cutting board, cupholder door design, LED display touch control panel.

Allow the compressor speed to be slowed down to increase operational efficiencies (ECO) or increase the compressor speed to provide "quick" cool down times (MAX). Safe to run less than a 45 degrees angle. Noise level reduced to a minimum.



(1) Armrest fridge/freezer
Frigo/freezer da bracciolo



(3) Trolley "dual zone" fridge/freezer
Frigo/freezer a trolley a doppio compartimento



(2) Lightweight portable fridge/freezer
Frigo/freezer portatile leggero

La serie VFREE PLUS è stata pensata per offrire il massimo della praticità nell'utilizzo quotidiano: una gamma che copre qualsiasi esigenza, sia in termini di capacità che di tipologia e ambiente di utilizzo. Tutti i modelli vantano un design antiurto e durevole adatto agli utilizzi più estremi.

PARTI SPECIFICHE: cestello porta filo, tappo di scarico interno, luce LED, tagliere in plastica, design porta portabicchieri, pannello di controllo touch con display LED. Possibilità di rallentare la velocità del compressore per aumentare l'efficienza operativa (ECO) o di aumentarne la velocità per fornire tempi di raffreddamento "rapidi" (MAX). Adatti per funzionamento anche su piano inclinato fino a 45 gradi. Livello di rumorosità ridotto al minimo.



Precise and total control

CONTROLLO PRECISO E TOTALE



The digital control panel allows quick access to the functions of the VFREE PLUS series: all information regarding temperature set points are shown on the high brightness LED digital display. A convenient USB socket is available for a direct power supply and for the charging devices such as smartphones, tablets, etc.. Automatic voltage detection and low voltage automatic power off: the smart battery protection system prevents battery run out, ensuring safe travel.

Il pannello di controllo digitale LCD consente il rapido accesso alle funzioni della serie VFREE PLUS: tutte le informazioni relativamente ai set point della temperatura vengono visualizzate sul display LED ad alta luminosità. Disponibile una comoda presa USB per l'alimentazione e la ricarica diretta di dispositivi quali smartphone, tablet, ecc.. Riconoscimento automatico del voltaggio d'ingresso e spegnimento automatico in caso di batteria al minimo: il sistema intelligente di protezione previene lo scaricamento totale della batteria, offrendo viaggi in piena sicurezza.



External power supply

ALIMENTATORE ESTERNO

100-240Vac external Power Supply. Switchover from tension mains (AC) to battery, mains (DC) is automatic.

Alimentatore esterno 100-240Vac. La commutazione da tensione di rete alternata (CA) a tensione di batteria (CC) è automatica.



12/24Vdc Car Cigarette Lighter Socket Plug Connector

Presa per il collegamento all'accendisigari dell'auto (12/24Vdc).





Full set of accessories

RICCA DOTAZIONE DI ACCESSORI

The VFREE Plus series boasts a rich set of accessories (optional) to extend and improve its use in any situation.

FOLDABLE SOLAR PANEL BAG

BORSA PIEGHEVOLE PER PANNELLI SOLARI.

Light weight, portable and stable output voltage and current, it converts solar energy into electricity and then charges the 15600mAh detachable lithium ion battery (optional). You can connect with a parallel cable more items at the same time to increase the charging speed.

Leggera, portatile e con tensione e corrente stabili in uscita, converte l'energia solare in elettricità e quindi carica la batteria agli ioni di litio rimovibile da 15600 mAh (opzionale). È possibile collegare con un cavo parallelo più elementi contemporaneamente per aumentare la velocità di ricarica.

15.600 mAh DETACHABLE LITHIUM ION BATTERY

BATTERIA AGLI IONI DI LITIO RIMOVIBILE DA 15600 mAh

It can keep 4-6 hours of battery life for outdoor use.

In grado di garantire un'autonomia di 4-6 ore in uso esterno.



SLIDES

GUIDE SCORREVOLI

Heavy duty solid steel, high quality powder coating, zinc coating galvanized never rust. Double side lock-in and lock-out system. 4 straps to secure the fridge. Mountable to any flat surface (*).

Realizzate in acciaio solido per impieghi gravosi, con verniciatura a polvere di alta qualità e rivestimento in ferro zincato anticorrosione. Sistema di lock-in e lock-out su entrambi i lati. Allestite con 4 cinghie per fissare il frigorifero. Montabili su qualsiasi superficie piana (*).



(*) eccetto/except for: VFC15-VFD115

OPTIONAL

La serie VFREE Plus vanta una ricca dotazione di accessori (optional) per estenderne e migliorarne l'utilizzo in qualsiasi situazione.

100/200W Solar Panel 19,5 Vdc - 5,5A



COVER

COPERTURA

Protect your fridge during outdoor use. The cool cover is perfect to add extra insulation and to reduce power consumption. A great protection against excessive movement, dirt, dust, sand and moisture or water splashes.

Proteggi il tuo frigorifero durante l'utilizzo all'aperto. La copertura imbottita è perfetta per aggiungere ulteriore isolamento e ridurre di fatto il consumo energetico. Un'ottima protezione contro movimenti eccessivi, sporco, polvere, sabbia e umidità o schizzi d'acqua.



ARMREST FRIDGE/FREEZER
FRIGO/FREEZER DA BRACCIOLO

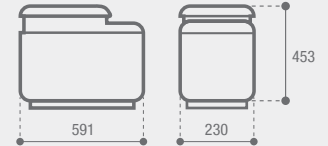
°C +20 -18

VFC15



- Leather armrest
Bracciolo in pelle
- Two cups holder
Due portabicchieri
- LED display
Display LED
- Detachable battery
Batteria rimovibile

Total volume Capacità totale	15 lt.
Net weight Peso netto	9,3 kg.
Power supply and nominal consumption Alimentazione e consumo nominale	12/24 Vdc 100-240Vac 50/60Hz 45 W



°C +20 -20

VFT30



Total volume Capacità totale	30 lt.
Net weight Peso netto	12,8 kg.
Power supply and nominal consumption Alimentazione e consumo nominale	12/24 Vdc 100-240Vac 50/60Hz 60 W





°C +20 -20

VFP40



Total volume Capacità totale	40 lt.
Net weight Peso netto	14,7 kg.
Power supply and nominal consumption Alimentazione e consumo nominale	12/24 Vdc 100-240Vac 50/60Hz 60 W



°C +20 -20

VFP50



Total volume Capacità totale	50 lt.
Net weight Peso netto	15,7 kg.
Power supply and nominal consumption Alimentazione e consumo nominale	12/24 Vdc 100-240Vac 50/60Hz 60 W



°C +20 -20

VFP60



Total volume Capacità totale	60 lt.
Net weight Peso netto	17,7 kg.
Power supply and nominal consumption Alimentazione e consumo nominale	12/24 Vdc 100-240Vac 50/60Hz 60 W





°C +20 -20

VFT40



Total volume Capacità totale	40 lt.
Net weight Peso netto	16,7 kg.
Power supply and nominal consumption Alimentazione e consumo nominale	12/24 Vdc 100-240Vac 50/60Hz 60 W

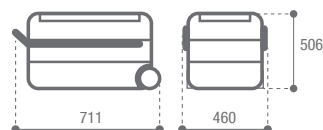


°C +20 -20

VFT50



Total volume Capacità totale	50 lt.
Net weight Peso netto	17,7 kg.
Power supply and nominal consumption Alimentazione e consumo nominale	12/24 Vdc 100-240Vac 50/60Hz 60 W

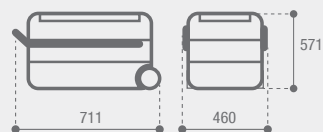


°C +20 -20

VFT60



Total volume Capacità totale	60 lt.
Net weight Peso netto	18,7 kg.
Power supply and nominal consumption Alimentazione e consumo nominale	12/24 Vdc 100-240Vac 50/60Hz 60 W

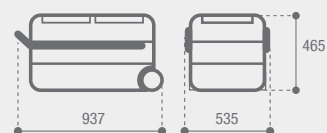


°C +20 -20

VFD75



Total volume Capacità totale	75 lt.
Net weight Peso netto	25,6 kg.
Power supply and nominal consumption Alimentazione e consumo nominale	12/24 Vdc 100-240Vac 50/60Hz 80 W

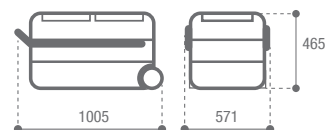


°C +20 -20

VFD95



Total volume Capacità totale	95 lt.
Net weight Peso netto	28 kg.
Power supply and nominal consumption Alimentazione e consumo nominale	12/24 Vdc 100-240Vac 50/60Hz 80 W

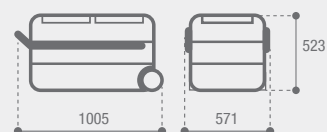


°C +20 -20

VFD115



Total volume Capacità totale	115 lt.
Net weight Peso netto	30,8 kg.
Power supply and nominal consumption Alimentazione e consumo nominale	12/24 Vdc 100-240Vac 50/60Hz 80 W



SPECIAL INSTALLATIONS

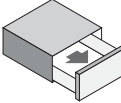
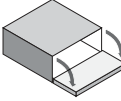
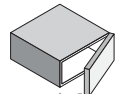


SPECIAL INSTALLATIONS

COMPACT DRAWER
FRIDGES AND FREEZERS

INSTALLAZIONI SPECIALI

FRIGORIFERI E FREEZER
COMPATTI A CASSETTO

Available models Modelli disponibili	Total volume Capacità totale	
	LT.	
D20A	20	
D30A	30	
BRK35P	35	
BRK35PX	35	
C47 CHR (*)	47	

* Chromelock series availability is continuously updated:
please contact us at sales@vitrifrigo.com

* La disponibilità della serie Chromelock è in continua evoluzione:
contattateci per gli ultimi aggiornamenti a sales@vitrifrigo.com



Special...from any point of view

SPECIALI... SOTTO OGNI PUNTO DI VISTA.

A very special series, designed to be installed in compact spaces. The two new D20A and D30A drawer refrigerators/freezers represent a revolutionary innovation in terms of both aesthetics and technology.

The drawer refrigerators for special installations offer the additional advantage of not dispersing the cold even with numerous openings throughout the day.

Equipped with a practical removable container (BRK35 and C47/C47 CHR), they occupy limited space, while maintaining excellent usability.

Una serie davvero speciale, pensata per essere installata in spazi dalle dimensioni contenute.

I due nuovi frigoriferi/freezer a cassetto D20A e D30A rappresentano una profonda innovazione di tipo sia estetico che tecnologico.

I frigoriferi per le installazioni speciali a cassetto offrono l'ulteriore vantaggio di non disperdere il freddo anche a fronte di numerose aperture nell'arco della giornata.

Dotati di pratico contenitore estraibile (BRK35 e C47/C47 CHR), occupano spazi limitati, conservando al contempo un'ottima fruibilità.

SPECIAL INSTALLATIONS

COMPACT DRAWER
REFRIGERATORS AND FREEZERS

INSTALLAZIONI SPECIALI

FRIGORIFERI E FREEZER
COMPATTI A CASSETTO

NEW

YOU DECIDE.
ANY TEMPERATURE
ANY TIME.



R600a

NATURAL GAS COMPRESSORE
COMPRESSOR GAS NATURALE





D20A and D30A: complete innovation

D20A E D30A INNOVAZIONE A 360 GRADI

D20A and D30A are compact drawer fridges/freezers, suitable for small spaces.

Designed using specific components for automotive applications, D20A and D30A are used to set any temperature, at any time.

For example, start in fridge mode and then switch to freezer mode or vice-versa.

Available in black and/or white, the D20A and D30A have an elegant and refined finish that is harmoniously suited to any interior.

Stainless steel drawer slides.

D20A e D30A sono dei frigoriferi/congelatori compatti a cassetto, adatti a piccoli spazi.

Progettati utilizzando componenti specifici per applicazioni automobilistiche, D20A e D30A consentono di settare qualsiasi temperatura, in qualsiasi momento.

Si può iniziare in modalità frigo per poi passare alla modalità congelatore o viceversa.

Disponibili nella versione nera e/o bianca, D20A e D30A hanno una finitura elegante e raffinata che ben si adatta a qualsiasi interno.

Le guide del cassetto sono in acciaio inox.



FRESH



FROZEN

FRIDGE + FREEZER

FRESH AND FROZEN FOOD AND BEVERAGE



Advanced functions

FUNZIONI AVANZATE

The D20A and D30A are controlled by a digital thermostat, ensuring precise management of both temperature settings and optimisation of compressor operation, balancing efficiency and consumption combined with noise reduction during night hours.

D20A e D30A sono controllati da un termostato digitale per la gestione precisa sia dei settaggi della temperatura che dell'ottimizzazione del funzionamento del compressore, bilanciandone rendimento e consumi in funzione della riduzione del rumore durante le ore notturne.

NIGHT MODE

SMART CONTROL FOR HIGH LEVEL COMFORT



LOW NOISE



MAXIMUM ENERGY SAVING



Remotable cooling unit

UNITÀ DI REFRIGERAZIONE REMOTABILE

With the D20/30A series you are finally free to maximise any space. The remotable external cooling unit offers added available volume inside the refrigerator. In addition, it expands the installation possibilities in terms of functionality, efficiency and soundproofing.

Con la serie D20/30A si è finalmente liberi di sfruttare al massimo qualsiasi spazio. L'unità di refrigerazione esterna remotabile permette di avere maggior volume a disposizione all'interno del frigorifero. Inoltre, espande le possibilità di installazione, sia in termini di funzionalità che di efficienza e insonorizzazione.



UP TO
FINO A
1,5 mt.



D20A

NEW



Total volume Capacità totale	20 lt.
Net weight Peso netto	15 kg.
Power supply and nominal consumption Alimentazione e consumo nominale	12/24 Vdc 43,5 W



H max
155 mm.



D30A

NEW

Total volume Capacità totale	30 lt.
Net weight Peso netto	17 kg.
Power supply and nominal consumption Alimentazione e consumo nominale	12/24 Vdc 43,5 W



H max
155 mm.



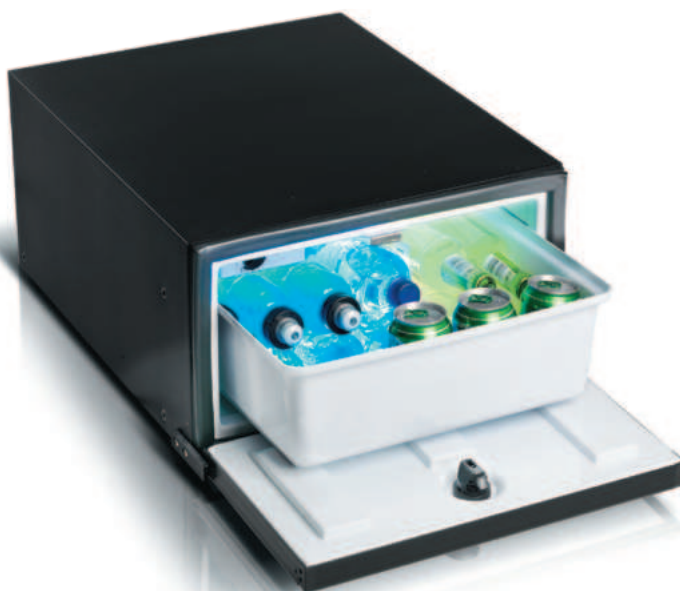


BRK35P

Total volume Capacità totale	35 lt.
Net weight Peso netto	16 kg.
Power supply and nominal consumption Alimentazione e consumo nominale	12/24 Vdc 31 W



OPTIONAL
12/24Vdc
100-240Vac

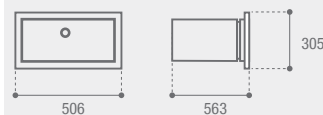


Nuovo sistema di chiusura PUSH-TURN
New PUSH-TURN locking system



BRK35PX

Total volume Capacità totale	35 lt.
Net weight Peso netto	16,7 kg.
Power supply and nominal consumption Alimentazione e consumo nominale	12/24 Vdc 31 W



OPTIONAL

12/24Vdc

100-240Vac

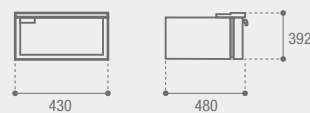


Nuovo sistema di chiusura PUSH-TURN
New PUSH-TURN locking system



C47 CHR*

Total volume Capacità totale	47 lt.
Net weight Peso netto	18 kg.
Power supply and nominal consumption Alimentazione e consumo nominale	12/24 Vdc 31 W



OPTIONAL

12/24Vdc

100-240Vac

* Chromelock series availability is continuously updated: please contact us at sales@vitrifrigo.com

* La disponibilità della serie Chromelock è in continua evoluzione: contattateci per gli ultimi aggiornamenti a sales@vitrifrigo.com

COOLING UNITS

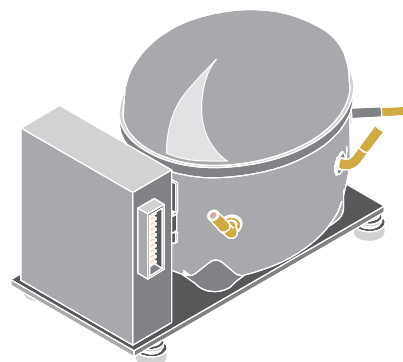


COOLING UNITS

PERSONAL COOLING COMPARTMENT

UNITÀ REFRIGERANTI

CREA IL TUO VANO REFRIGERATO



Free to create

LIBERI DI CREARE

Cooling units can be used to create refrigerated compartments up to 300 lt. and freezer compartments up to 100 lt.

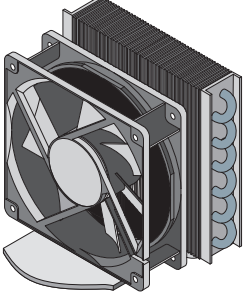
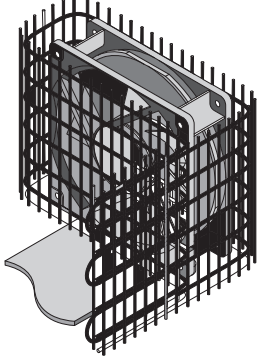
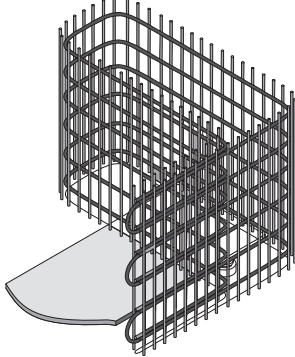
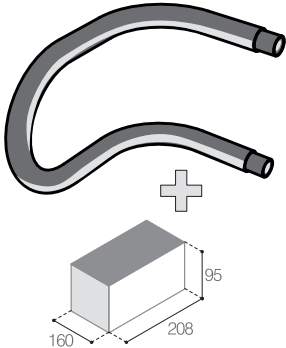
All standard units are 12/24 Vdc powered and supplied under nitrogen pressure. A version with quick couplings and 100-240Vac additional power supply is available on request.

Depending on the refrigeration system type, the AC power supply can be provided through an electronic control unit (12/24Vdc 100-240Vac 50/60Hz) applied on the compressor or through an external automatic switching power supply.

Le unità refrigeranti sono utilizzate per realizzare vani frigoriferi fino a 300 litri e vani freezer fino a 100 litri.

Tutte le unità sono alimentate, di serie, a 12/24 Vdc e vengono fornite in pressione d'azoto. Su richiesta possono essere dotate di giunti rapidi e di alimentazione supplementare a 100- 240 Vac. In base alla tipologia di impianto refrigerante, l'alimentazione in corrente alternata può essere fornita tramite una centralina elettronica (12/24Vdc 100-240Vac 50/60Hz) applicata sul compressore oppure mediante un alimentatore esterno a commutazione automatica.

CONDENSING UNITS - CONDENSAZIONE

AIR VENTILATION CON VENTILAZIONE	STATIC STATICA	WATER COOLED RAFFREDDATA AD ACQUA
Ventilation condenser coil with fins Condensatore ventilato a pacco alettato	Ventilation condenser cooling unit - wire condenser coil Condensatore ventilato a filo	Static condenser cooling unit - wire condenser coil Condensatore statico a filo
		
	(*) For refrigerated compartments up to 150 lt. Freezers up to 80lt. (**) Vani frigo max 150 lt Vani freezer max 80 lt	 <p>24Vdc PUMP (optional) 12,5 lt/min (3,3 GPM) POMPA 24Vdc (optional) Portata d'acqua 12,5 l/min</p>



Marine grade bronze and cupro-nickel keel cooler

SISTEMA DI CONDENSAZIONE CON SCAMBIATORE FUORI SCAFO IN BRONZO MARINO E CUPRO-NICKEL

Use of a keel cooler provides excellent heat exchange between the seawater and the refrigerant to obtain maximum performance from a system. Available with quick couplings and for Vdc refrigerators and cooling units only.

The elimination of electro-mechanical components (seawater pump, condenser fan) provides lower power consumption and maintenance costs.

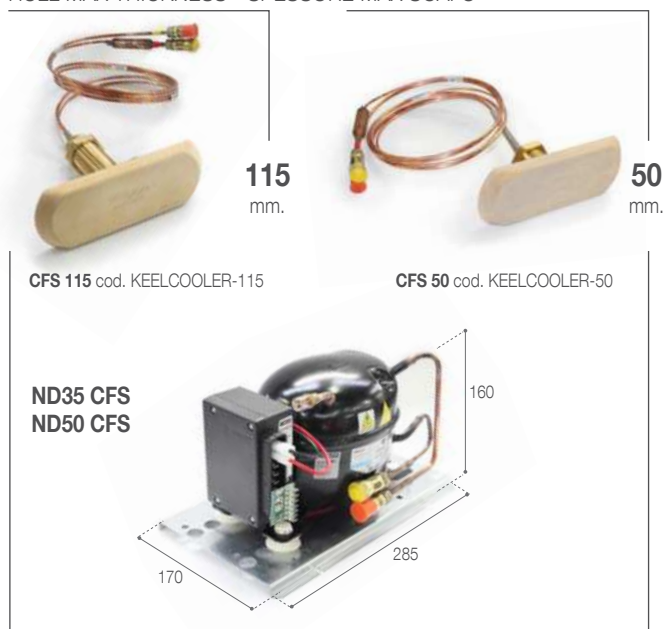
The hydrodynamic shape and low profile reduces friction, while underway, and prohibits fouling by loose objects in the water. The specific shape and the external installation on the hull provides continuous contact between the seawater and the surface area of the exchanger, providing optimal performance of the cooling unit – even in tropical waters.

La condensazione mediante scambiatore fuoriscafo realizza un eccellente scambio di calore con l'acqua marina ottenendo il massimo rendimento dall'impianto refrigerante. Disponibile solo con giunti rapidi e per frigo ed unità refrigeranti in corrente continua

Il sistema non utilizza pompe o altri componenti elettrici, eliminando ulteriori consumi energetici e riducendo i costi di manutenzione.

La forma idrodinamica e il basso profilo riducono al minimo la resistenza al moto non interferendo sulla navigazione, escludendo ogni appiglio su oggetti dispersi in mare. La forma particolare e l'installazione esterna alla carena consentono il deflusso continuo dell'acqua calda verso l'alto, permettendo all'acqua fredda di prendere il suo posto sullo scambiatore, creando così un perfetto e continuo ricambio e ottenendo un'ottima condensazione e resa dell'impianto refrigerante anche fermi in acque tropicali.

HULL MAX THICKNESS - SPESSORE MAX SCAFO




Nell'installazione si consiglia di non inserire lo scambiatore all'interno di nicchie in modo da non creare situazioni di ristagno di acqua calda attorno allo scambiatore stesso, compromettendo notevolmente la resa del gruppo refrigerante. Il tubo in rame che collega l'unità refrigerante al condensatore fuori scafo ha una lunghezza di 160 cm. Per altre lunghezze si veda la sezione "tubo di prolunga" a pagina 100.

During installation, it is recommended to avoid locating the keel cooler inside any hull cavities which could cause hot water stagnation around the exchanger and compromise the cooling unit's performance. The copper pipe connecting the cooling unit to the keel cooler is 160 cm. long. For further lengths, see the "lineset" section at page 104.

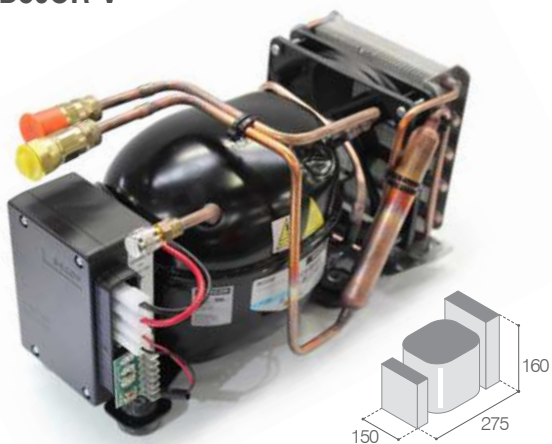
STANDARD: 12/24 Vdc
senza giunti rapidi - without quick couplings

OPTIONAL: 12/24Vdc 100-240Vac 50/60Hz
e giunti rapidi - and quick couplings

Le foto sono relative alle versioni con giunti rapidi.
Pictures are about quick couplings version

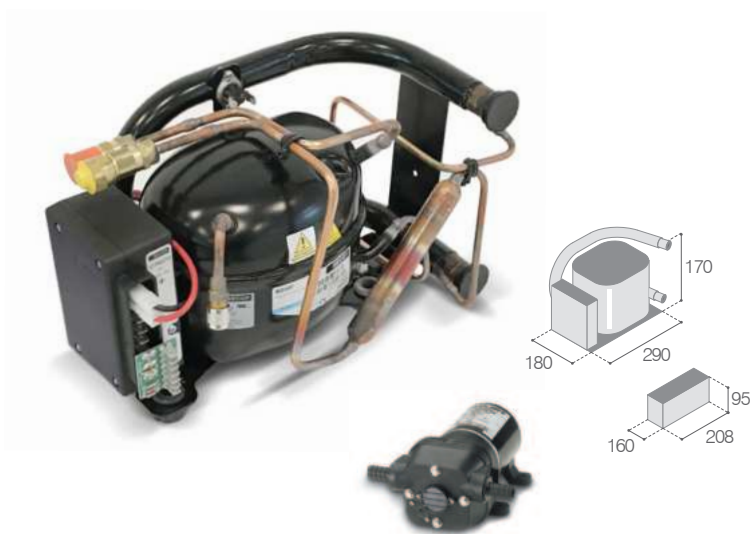
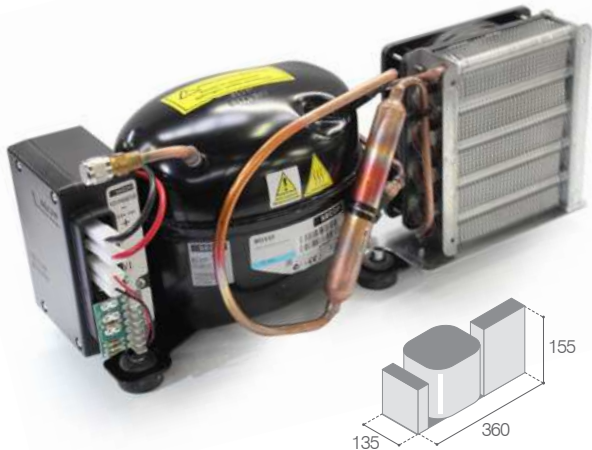
ND35OR-V
ND50OR-V

ND35OR1-V



ND35OR2-V
ND50OR2-V

ND35H2O
ND50H2O



ND35VR-V
ND50VR-V

ND35OR-S

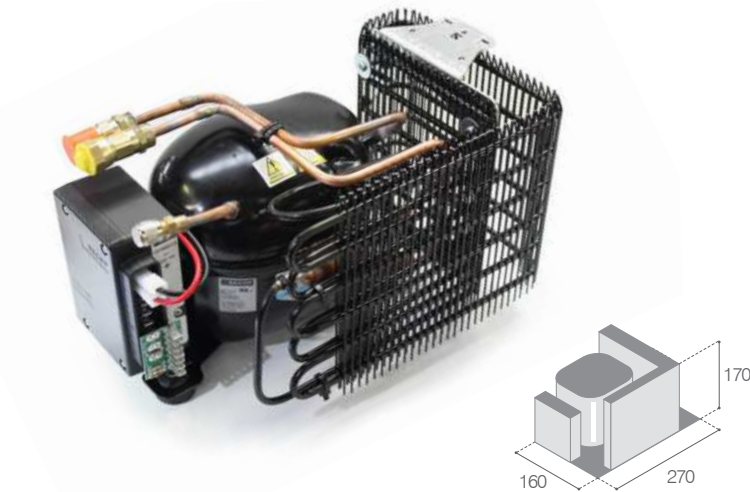
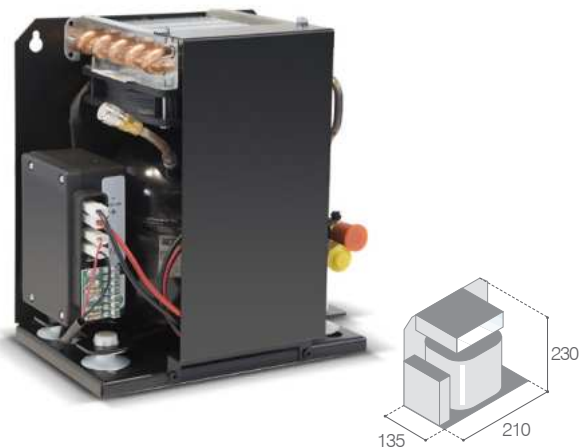


Plate evaporators

EVAPORATORI A PIASTRA

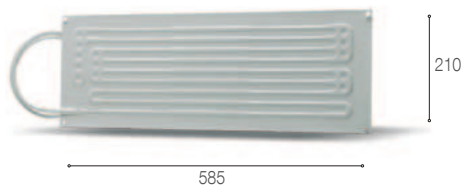
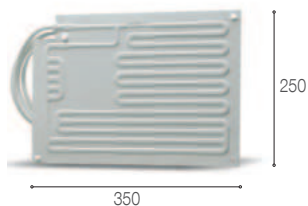
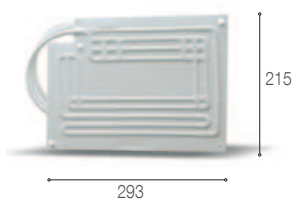
Plate evaporators can be easily installed and provide a multitude of different cooling requirements, due to the ability to bend them to fit into the refrigerated compartment. When installing, always use the stand-offs and provided holes in the plate evaporator. Hose lenght: 1,8 m. (*) with quick couplings

Di facile installazione, l'evaporatore a piastra soddisfa le più svariate esigenze di refrigerazione, grazie anche alla possibilità di essere adattato alla forma del vano da refrigerare. Per l'installazione utilizzare sempre i fori predisposti. Lunghezza tubo: 1,8 m. (*) con giunti rapidi

PT1 cod. R103997L
cod. R103997L-GR*

PT2 cod. R10336
cod. R10336-GR*

PT3 cod. R10337
cod. R10354*

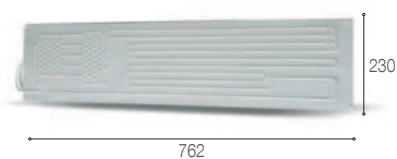
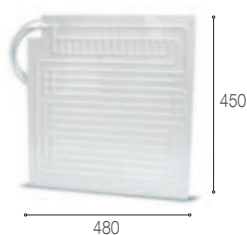
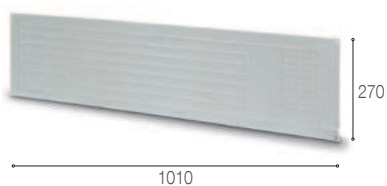
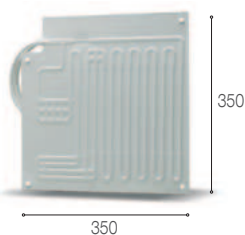


PT4 cod. R10340
cod. R10340-GR*

PT8 cod. R103026
cod. R103026-GR*

PT9 cod. R1030035
cod. R1030035-GR*

PT10 cod. R1030020S
cod. R1030020S-GR*

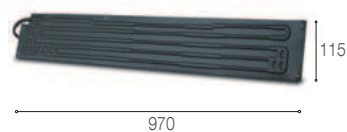
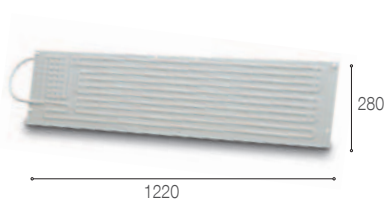
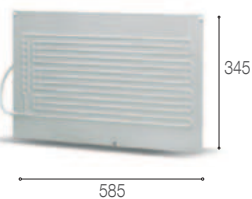
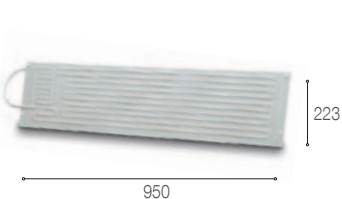


PT12 cod. R10349
cod. R10349-GR*

PT13 cod. R10350
cod. R10350-GR*

PT14 cod. R103009
cod. R103009-GR*

PT15 cod. R1030032
cod. R1030032-GR*



Lineset

TUBO DI PROLUNGA



LINESET-1M-PT-Q

LINESET-3M-PT-Q

LINESET-4M-PT-Q

Optional
for PT, S series and keel coolers
per serie PT, S e condensatori fuori scafo

Connection pipe

TUBO DI COLLEGAMENTO



LINESET-2M-AC-Q

LINESET-4M-AC-Q

Only for/Solo per
AC10-Q - AC20-Q - AC30-Q

Boxed evaporators

EVAPORATORI SCATOLATI

Cooling systems with boxed evaporators are recommended for all installations where a freezer compartment is required, leaving the remainder of the box as refrigerator space. Boxed evaporators with bottom piece and lids can be placed horizontally or vertically according to requirements and available space. (*) with quick couplings

I sistemi refrigeranti con evaporatori scatolati sono indicati per tutte le installazioni nelle quali è richiesta la presenza di una cella freezer. Possono essere posizionati orizzontalmente o verticalmente a seconda delle esigenze e degli spazi disponibili. (*) con giunti rapidi.

S8

cod. R1030083
cod. R1030083-GR*



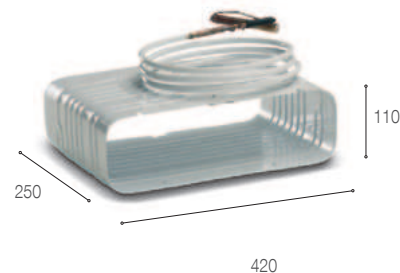
S3

cod. R10313
cod. R10313-GR*



S7

cod. R1030030
cod. R1030030-GR*



Holding plate evaporators

EVAPORATORI AD ACCUMULO

Cooling systems with holding plate evaporators are an efficient solution for those cases where power is not always available. Holding plates are able to "store" the necessary cold to cool the refrigerated compartment during many hours when the power supply is lacking.

Completely made of stainless steel, the holding plate evaporators of the AC line can be installed in any position.

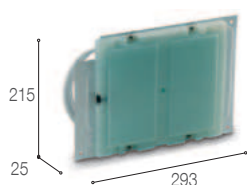
(*) with quick couplings

Adatti nei casi in cui l'energia non sia sempre disponibile, le piastre ad accumulo hanno la capacità di "immagazzinare" il freddo necessario per raffreddare il vano refrigerato per molte ore in mancanza di fonti energetiche.

Fabbricati completamente in acciaio inossidabile gli evaporatori ad accumulo della linea AC possono essere installati in qualsiasi posizione.

(*) con giunti rapidi.

AC1-Q (*)



AC3-Q (*)



AC10-Q (*)

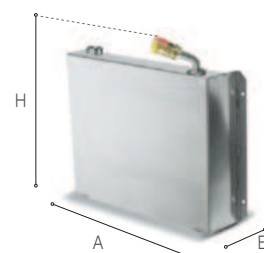
A: 275
B: 60
H: 290

AC20-Q (*)

A: 325
B: 70
H: 355

AC30-Q (*)

A: 355
B: 70
H: 415



Ventilated evaporator

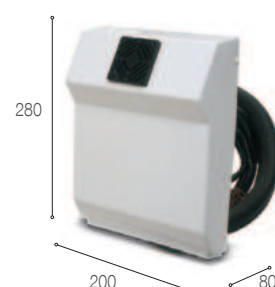
EVAPORATORE VENTILATO

The Air 10 evaporator uses a forced ventilation cooling system. It is recommended for refrigerated compartments up to 200 lt. and improves internal cold distribution thanks to continuous air recirculation. Thermostat included. (*) with quick couplings

L'evaporatore Air 10 utilizza un sistema di raffreddamento a ventilazione forzata. Indicato per i vani frigorifero fino a 200 litri, migliora la distribuzione del freddo all'interno del frigo, grazie al ricircolo d'aria. Termostato incluso. (*) con giunti rapidi.

AIR10

AIR10-Q (*)





Cooling system combination chart

TABELLA COMPOSIZIONE GRUPPO REFRIGERANTE

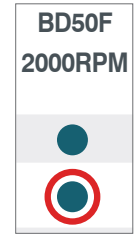
EXAMPLE

For a 100 lt. compartment with freezer you will proceed as following.
 Evaporator type: As a freezer compartment is required, a boxed evaporator is recommended.
 The chart identifies one suitable evaporator: S3 for 150 lt. max to be combined with
 BD35F/2500 RPM and BD50F/2000 RPM

ESEMPIO

Volendo refrigerare un vano da circa 100 litri con zona freezer, si eseguirà la seguente lettura.
 Scelta tipologia evaporatore: per la presenza del vano freezer viene consigliato l'impiego
 di un evaporatore di tipo scatola.
 La tabella individua un evaporatore specifico: S3 per un max di 150 l., in abbinamento
 ai compressori tipo BD35F a 2500 RPM e BD50F a 2000 RPM.

EVAPORATORI	SCATOLATI boxed evaporators	S8	80	
		S3	150	
		S7	210	



VOL. MAX (lt.) vano da refrigerare compartment to refrigerate	TIPOLOGIA COMPRESSORI COMPRESSOR TYPES							FREEZER* VOL. MAX (lt.) vano da refrigerare compartment to refrigerate	BD50F 3500RPM																																																																																																																																																																																																								
	BD35F 2000RPM	BD35F 2500RPM	BD35F 3000RPM	BD50F 2000RPM	BD50F 2500RPM	BD50F 3000RPM	BD50F 3500RPM																																																																																																																																																																																																										
	<div style="display: flex; justify-content: space-between;"> <div style="writing-mode: vertical-rl; transform: rotate(180deg);">EVAPORATORI Evaporators</div> <div style="writing-mode: vertical-rl; transform: rotate(180deg);">A PIASTRA flat evaporators</div> </div> <table border="1"> <tr><td>PT15</td><td>30</td><td>●</td><td></td><td></td><td></td><td></td><td></td><td></td><td></td></tr> <tr><td>PT1</td><td>40</td><td>●</td><td></td><td></td><td></td><td></td><td></td><td></td><td></td></tr> <tr><td>PT2</td><td>60</td><td></td><td>●</td><td></td><td>●</td><td></td><td></td><td></td><td></td></tr> <tr><td>PT3</td><td>80</td><td></td><td>●</td><td></td><td>●</td><td></td><td></td><td></td><td></td></tr> <tr><td>PT4</td><td>130</td><td></td><td>●</td><td></td><td>●</td><td></td><td></td><td></td><td></td></tr> <tr><td>PT10</td><td>140</td><td></td><td>●</td><td></td><td>●</td><td></td><td></td><td></td><td></td></tr> <tr><td>PT12</td><td>150</td><td></td><td>●</td><td></td><td>●</td><td></td><td></td><td></td><td></td></tr> <tr><td>PT13</td><td>170</td><td></td><td></td><td>●</td><td></td><td>●</td><td></td><td></td><td></td></tr> <tr><td>PT8</td><td>210</td><td></td><td></td><td></td><td></td><td></td><td>●</td><td></td><td></td></tr> <tr><td>PT9</td><td>210</td><td></td><td></td><td></td><td></td><td></td><td>●</td><td></td><td></td></tr> <tr><td>PT14</td><td>250</td><td></td><td></td><td></td><td></td><td></td><td></td><td>●</td><td></td></tr> </table> <div style="display: flex; justify-content: space-between;"> <div style="writing-mode: vertical-rl; transform: rotate(180deg);">EVAPORATORI Evaporators</div> <div style="writing-mode: vertical-rl; transform: rotate(180deg);">SCATOLATI boxed evaporators</div> </div> <table border="1"> <tr><td>S8</td><td>80</td><td></td><td>●</td><td></td><td>●</td><td></td><td></td><td></td><td></td></tr> <tr><td>S3</td><td>150</td><td></td><td>●</td><td></td><td>●</td><td></td><td></td><td></td><td></td></tr> <tr><td>S7</td><td>210</td><td></td><td></td><td></td><td></td><td>●</td><td></td><td></td><td></td></tr> </table> <div style="display: flex; justify-content: space-between;"> <div style="writing-mode: vertical-rl; transform: rotate(180deg);">EVAPORATORI Evaporators</div> <div style="writing-mode: vertical-rl; transform: rotate(180deg);">AD ACCUMULO holding plate evaporators</div> </div> <table border="1"> <tr><td>AC1</td><td>40</td><td></td><td>●</td><td></td><td>●</td><td></td><td></td><td></td><td></td></tr> <tr><td>AC3</td><td>80</td><td></td><td></td><td>●</td><td></td><td>●</td><td></td><td></td><td></td></tr> <tr><td>AC10</td><td>100</td><td></td><td></td><td></td><td></td><td></td><td>●</td><td></td><td></td></tr> <tr><td>AC20</td><td>170</td><td></td><td></td><td></td><td></td><td></td><td></td><td>●</td><td></td></tr> <tr><td>AC30</td><td>230</td><td></td><td></td><td></td><td></td><td></td><td></td><td></td><td>●</td></tr> </table> <div style="display: flex; justify-content: space-between;"> <div style="writing-mode: vertical-rl; transform: rotate(180deg);">EVAPORATORI Evaporators</div> <div style="writing-mode: vertical-rl; transform: rotate(180deg);">VENTILATO ventilated evaporator</div> </div> <table border="1"> <tr><td>AIR10</td><td>200</td><td></td><td></td><td>●</td><td></td><td>●</td><td></td><td></td><td></td></tr> </table>										PT15	30	●								PT1	40	●								PT2	60		●		●					PT3	80		●		●					PT4	130		●		●					PT10	140		●		●					PT12	150		●		●					PT13	170			●		●				PT8	210						●			PT9	210						●			PT14	250							●		S8	80		●		●					S3	150		●		●					S7	210					●				AC1	40		●		●					AC3	80			●		●				AC10	100						●			AC20	170							●		AC30	230								●	AIR10	200			●		●		
PT15	30	●																																																																																																																																																																																																															
PT1	40	●																																																																																																																																																																																																															
PT2	60		●		●																																																																																																																																																																																																												
PT3	80		●		●																																																																																																																																																																																																												
PT4	130		●		●																																																																																																																																																																																																												
PT10	140		●		●																																																																																																																																																																																																												
PT12	150		●		●																																																																																																																																																																																																												
PT13	170			●		●																																																																																																																																																																																																											
PT8	210						●																																																																																																																																																																																																										
PT9	210						●																																																																																																																																																																																																										
PT14	250							●																																																																																																																																																																																																									
S8	80		●		●																																																																																																																																																																																																												
S3	150		●		●																																																																																																																																																																																																												
S7	210					●																																																																																																																																																																																																											
AC1	40		●		●																																																																																																																																																																																																												
AC3	80			●		●																																																																																																																																																																																																											
AC10	100						●																																																																																																																																																																																																										
AC20	170							●																																																																																																																																																																																																									
AC30	230								●																																																																																																																																																																																																								
AIR10	200			●		●																																																																																																																																																																																																											

(*) Isolamento minimo vano freezer: 60 mm.
 Freezer compartment minimum insulation: 60 mm.

Component accessories

ACCESSORI



Cooling unit thermostats

TERMOSTATI PER UNITÀ REFRIGERANTI

Il termostato frigo viene fornito su richiesta con gli evaporatori. Il termostato freezer è disponibile come optional aggiuntivo.

Refrigerator and Freezer thermostats must be ordered separately from any cooling unit, unless provided in an existing 'kit'.



	°C Min.		°C Max.	
	Cut-in	Cut-Off	Cut-in	Cut-Off
Cod. R10501.L refrigerator version versione frigorifero	+ 15.5	+ 6.0	- 6.0	-15.5
Cod. R10536 freezer version versione congelatore	probe length - lunghezza bulbo 1,2 m.			
	-12.0	-16.5	-23.0	-28.0
probe length - lunghezza bulbo 2,0 m.				

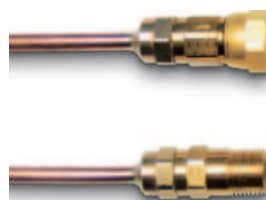


Quick coupling

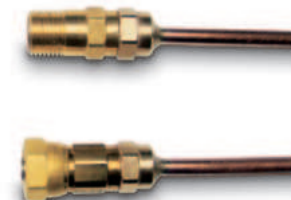
GIUNTI RAPIDI

Quick couplings can be installed, if required, to provide the ability to disconnect and reconnect the unit and evaporator without the loss of refrigerant.

A richiesta possono essere installati i giunti rapidi per permettere di connettere e disconnettere l'unità refrigerante dal mobile frigo, per facilitarne l'installazione senza perdite di refrigerante.



Cod. R490.01
(1M + 1F)



Cod. R490.00
(2M + 2F)



Electronic modules

CENTRALINE

Cod. R101091.K
12/24 Vdc Electronic control - Centralina
for/per ND35 - ND50

Cod. R101097.K
12/24 Vdc - 100-240 Vac 50/60 Hz
Dual electronic control - Centralina bivalente
for/per ND35 - ND50

Cod. R101091.K



Cod. R101097.K



Power supply

ALIMENTATORE

24Vdc/300W 115/230Vac power supply allows you to use all Vitfrigo DC products powered by a mains supply from 24Vdc to 115/230 Vac 50/60Hz. Switchover from tension mains (AC) to battery, mains (DC) is automatic. The 24Vdc/300W 115/230 Vac power supply is equipped with a protection from power surges.

L'alimentatore **24Vdc/300W 115/230Vac** consente di utilizzare tutti i prodotti Vitfrigo a corrente continua, alimentandoli a 24Vdc da una tensione di rete 115/230 Vac 50/60Hz. La commutazione da tensione di rete alternata (CA) a tensione di batteria (CC) è automatica. 24Vdc/300W 115/230Vac dispone di un circuito elettronico a protezione dei sovraccarichi di corrente.

Cod. 7806-0001



SAFES

CASSEFORTI



Protect what you care about
 PROTEGGI QUELLO A CUI TIENI

The safety of keeping your valuables away from risks is guaranteed by a simple installation of safes offered by our catalogue.

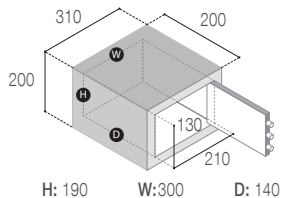
Their fittable dimensions and the fashionable design allows the installation in every ambient of your boat.

From the integral protection systems model fitted with an engine driven opening and a password to the most simple model of the range, however proof and solid, makes you feel safe and comfortable that your valuables are protected and secured!

La certezza di poter custodire i propri valori, lontano da ogni pericolo, è data dalla semplice installazione di una delle casseforti offerte a catalogo.

Le loro dimensioni contenute e la piacevolezza del design le rendono realmente installabili in qualsiasi ambiente. Dai sistemi a protezione integrale con chiusura motorizzata e password-utente, sino al modello più semplice, ma comunque di provata solidità e sicurezza: mettete al sicuro la vostra tranquillità a bordo.

VSAFE200

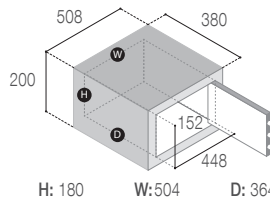


Peso netto - Net weight **4 kg.**

Luce interna a LED - Internal LED light
 Password master-utente - Master-user password
 Colore antracite - Anthracite coloured

H: 190 W: 300 D: 140

VSAFE2050

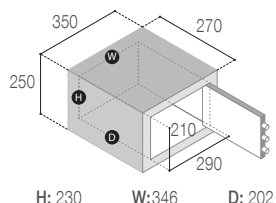


Peso netto - Net weight **15 kg.**

Chiusura motorizzata - Motorized lock
 Display LED a 6 cifre - 6-digit LED display
 Luce interna a LED - Internal LED light
 Password master-utente - Master-user password
 Colore antracite - Anthracite coloured

H: 180 W: 504 D: 364

VSAFE2535

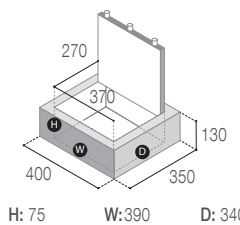


Peso netto - Net weight **11 kg.**

Chiusura motorizzata - Motorized lock
 Display LED a 6 cifre - 6-digit LED display
 Luce interna a LED - Internal LED light
 Password master-utente - Master-user password
 Colore antracite - Anthracite coloured

H: 230 W: 346 D: 202

VSAFE1340 TOP

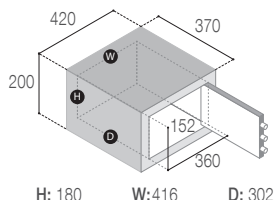


Peso netto - Net weight **12 kg.**

Display LED a 6 cifre - 6-digit LED display
 Luce interna a LED - Internal LED light
 Password master-utente - Master-user password
 Colore antracite - Anthracite coloured

H: 75 W: 390 D: 340

VSAFE2042

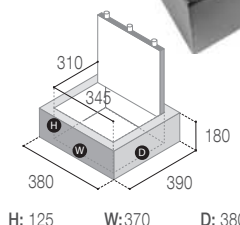


Peso netto - Net weight **13 kg.**

Chiusura motorizzata - Motorized lock
 Display LED a 6 cifre - 6-digit LED display
 Luce interna a LED - Internal LED light
 Password master-utente - Master-user password
 Colore antracite - Anthracite coloured

H: 180 W: 416 D: 302

VSAFE1838 TOP



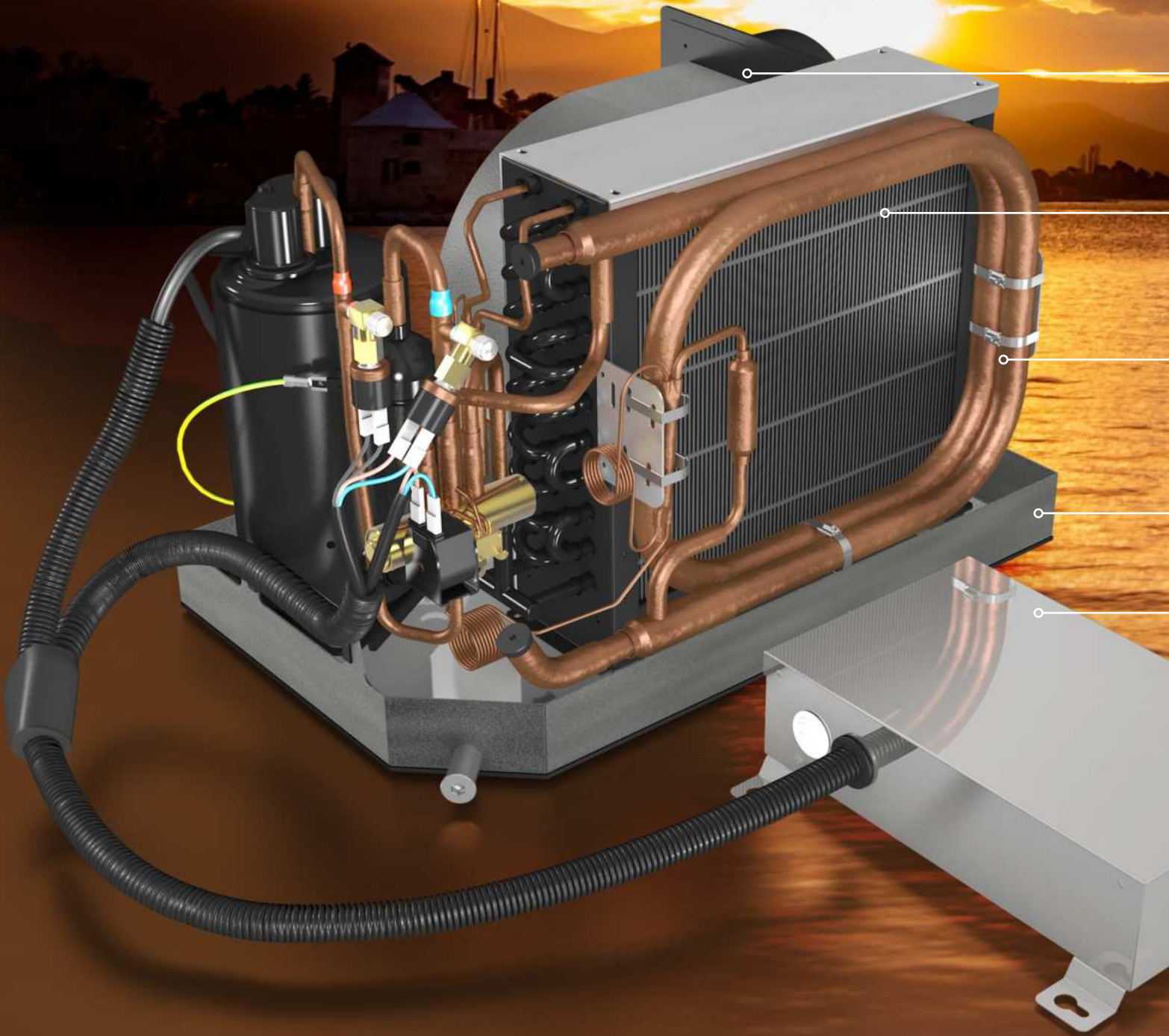
Peso netto - Net weight **13 kg.**

Display LED a 6 cifre - 6-digit LED display
 Luce interna a LED - Internal LED light
 Password master-utente - Master-user password
 Colore antracite - Anthracite coloured

H: 125 W: 370 D: 380

MACS

MARINE AIR CONDITIONING SYSTEMS



MARINE AIR CONDITIONING SYSTEMS

SISTEMI DI CLIMATIZZAZIONE DELL'ARIA

Self contained units/systems
 Chill-water systems
 Air distribution accessories
 Sea water distribution accessories
 Fancoil distribution accessories

Unità di condizionamento monoblocco
 Sistemi di condizionamento con circolazione di acqua
 Accessori distribuzione aria
 Accessori distribuzione acqua di mare
 Accessori distribuzione acqua circuito fancoil

Rotatable high velocity blower

Ventilatore specifico per la canalizzazione dell'aria trattata, con bocca di mandata orientabile

Heat exchanger with copper tubes and stainless steel chassis

Evaporatore con tubi in rame e carenatura in acciaio inox

High efficiency tube-in-tube sea water condenser with cupronickel inner tube and copper outer shell

Condensatore tubo in tubo, con tubazione interna (lato acqua) in cupronichel ed esterna (lato refrigerante) in rame

Stainless steel chassis with two opposite drain connections

Vaschetta raccogli condensa in acciaio inox dotata di doppio scarico

Remotable stainless steel electrical box

Quadro elettrico in acciaio inox installabile in posizione remota

New Self Contained Unit

NUOVE UNITÀ MONOBLOCCO

Suitable for cooling single or multiple cabins, available in 3 different models from 7.000 to 16.000 Btu/h nominal cooling capacity, the new self-contained system 2020 (compressor, sea water condenser, evaporator and fan) and the new cooling circuit is ideal for all seasons.

The compact unit is especially suitable for onboard installations, allowing airflow through insulated ducting and into the conditioned space through air distribution grilles.

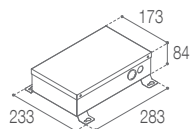
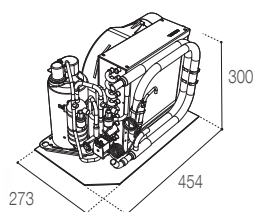
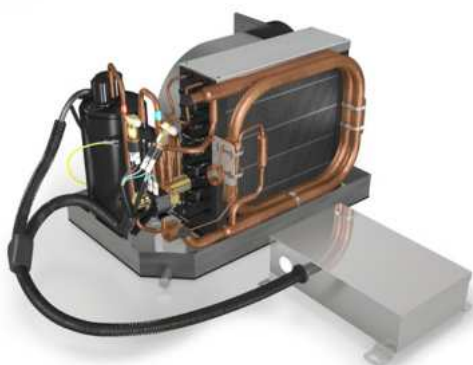
Adatti al condizionamento di un ambiente singolo o di due ambienti adiacenti, vengono prodotti in 3 modelli con capacità che vanno dai 7.000 fino ai 16.000 BTU/h.

La struttura monoblocco (composta da compressore, condensatore, evaporatore e ventilatore) ed il suo nuovo circuito frigorifero rendono l'unità di condizionamento adatta per qualsiasi stagione.

Il monoblocco è particolarmente indicato per le installazioni a bordo, consentendo la movimentazione dell'aria in condotte isolate e la distribuzione della stessa all'interno dell'ambiente mediante griglie di diffusione.

KIT MACS 7000

0700-0001

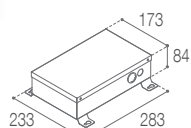
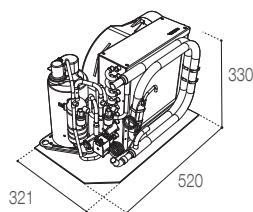


CONTROL BOX

Air supply diameter	mm.	102
Diametro mandata aria	mm.	102
Drain hose diameter	mm.	18
Diametro tubo di scarico condensa	mm.	18
Weight	kg.	23
Peso	kg.	23
Voltage/frequency/phase	230V/50Hz	
Alimentazione	230V/50Hz	
Nominal cooling capacity	BTU/h	7000
Capacità nominale (mod. raffreddamento)	BTU/h	7000
Nominal heating capacity	BTU/h	7800
Capacità nominale (mod. riscaldamento)	BTU/h	7800
Nominal power consumption (cool mode)	kW	0,6
Potenza nom. di consumo (mod. raffreddamento)	kW	0,6
Nominal power consumption (heat mode)	kW	0,7
Potenza nom. di consumo (mod. riscaldamento)	kW	0,7
Nominal Amperage (cool mode)	A	2,6
Assorbimento nominale (mod. raffreddamento)	A	2,6
Nominal Amperage (heat mode)	A	3
Assorbimento nominale (mod. riscaldamento)	A	3
Air flow	mc/h	400
Portata aria trattata	mc/h	400
Recommended pump flow	l/h	600
Capacità pompa consigliata	l/h	600

KIT MACS 12000

0700-0002

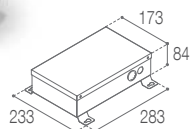
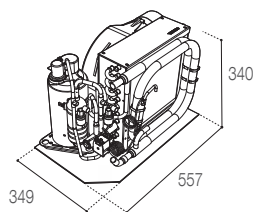
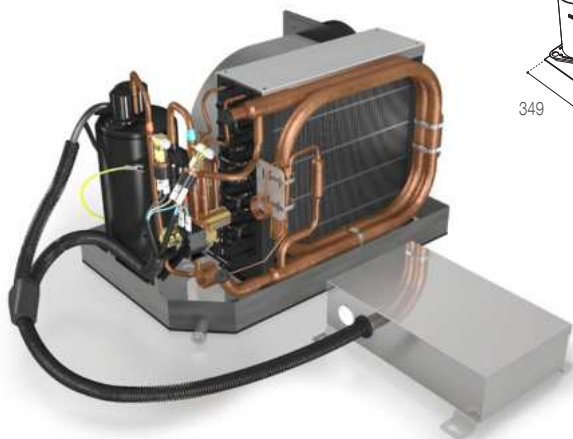


CONTROL BOX

Air supply diameter	mm.	152
Diametro mandata aria	mm.	152
Drain hose diameter	mm.	18
Diametro tubo di scarico condensa	mm.	18
Weight	kg.	26
Peso	kg.	26
Voltage/frequency/phase	230V/50Hz	
Alimentazione	230V/50Hz	
Nominal cooling capacity	BTU/h	12000
Capacità nominale (mod. raffreddamento)	BTU/h	12000
Nominal heating capacity	BTU/h	13000
Capacità nominale (mod. riscaldamento)	BTU/h	13000
Nominal power consumption (cool mode)	kW	0,9
Potenza nom. di consumo (mod. raffreddamento)	kW	0,9
Nominal power consumption (heat mode)	kW	1,1
Potenza nom. di consumo (mod. riscaldamento)	kW	1,1
Nominal Amperage (cool mode)	A	4
Assorbimento nominale (mod. raffreddamento)	A	4
Nominal Amperage (heat mode)	A	4,7
Assorbimento nominale (mod. riscaldamento)	A	4,7
Air flow	mc/h	540
Portata aria trattata	mc/h	540
Recommended pump flow	l/h	900
Capacità pompa consigliata	l/h	900

KIT MACS 16000

0700-0003



CONTROL BOX

Air supply diameter	mm.	152
Diametro mandata aria	mm.	152
Drain hose diameter	mm.	18
Diametro tubo di scarico condensa	mm.	18
Weight	kg.	31
Peso	kg.	31
Voltage/frequency/phase	230V/50Hz	
Alimentazione	230V/50Hz	
Nominal cooling capacity	BTU/h	16000
Capacità nominale (mod. raffreddamento)	BTU/h	16000
Nominal heating capacity	BTU/h	18000
Capacità nominale (mod. riscaldamento)	BTU/h	18000
Nominal power consumption (cool mode)	kW	1,1
Potenza nom. di consumo (mod. raffreddamento)	kW	1,1
Nominal power consumption (heat mode)	kW	1,3
Potenza nom. di consumo (mod. riscaldamento)	kW	1,3
Nominal Amperage (cool mode)	A	5
Assorbimento nominale (mod. raffreddamento)	A	5
Nominal Amperage (heat mode)	A	5,5
Assorbimento nominale (mod. riscaldamento)	A	5,5
Air flow	mc/h	640
Portata aria trattata	mc/h	640
Recommended pump flow	l/h	1500
Capacità pompa consigliata	l/h	1500

Easy to use control panel

PANNELLO DI CONTROLLO ELETTRONICO

It can be integrated into all of the major switch component manufacturers (B-TICINO, GEWISS, VIMAR). Infrared remote control (optional).

Pannello di controllo elettronico di facile utilizzo, adattabile ad ogni ambiente e progettato per essere inserito nelle cornici standard delle marche più conosciute (B-TICINO, GEWISS, VIMAR). Disponibile come optional il telecomando ad infrarossi.



MACS 7000 ACCESSORIES KIT - 0702-0001

	Ø (in.)	In - Out		Ø (mm.)	L (m.)
Sea water intakes Presca a mare	1/2	M	Water pipe Tubo acqua	16	10
Thru-hull connection Scarico a mare	1/2	M	PVC insulated duct Condotta PVC isolata	102	5
Ball valve Valvola a sfera	1/2	F - F			
Sea-water filter Filtro acqua di mare	1/2	F - F			L x H (in.)
Straight brass hose connector Portagomma tubi acqua	-	16 - 1/2 M	Return air grille Griglia di aspirazione		10 x 10
Seawater pump Pompa acqua di mare	1/2	M - M	Supply grille Griglia di mandata		10 x 4



MACS 12000 ACCESSORIES KIT - 0702-0002

	Ø (in.)	In - Out		Ø (mm.)	L (m.)
Sea water intakes Presca a mare	3/4	M	Water pipe Tubo acqua	20	10
Thru-hull connection Scarico a mare	3/4	M	PVC insulated duct Condotta PVC isolata	152	5
Ball valve Valvola a sfera	3/4	F - F			
Sea-water filter Filtro acqua di mare	3/4	F - F			L x H (in.)
Straight brass hose connector Portagomma tubi acqua	-	20 - 3/4 M	Return air grille Griglia di aspirazione		12 x 12
Seawater pump Pompa acqua di mare	3/4	M - M	Supply grille Griglia di mandata		10 x 5



MACS 16000 ACCESSORIES KIT - 0702-0003

	Ø (in.)	In - Out		Ø (mm.)	L (m.)
Sea water intakes Presca a mare	1	M	Water pipe Tubo acqua	25	10
Thru-hull connection Scarico a mare	1	M	PVC insulated duct Condotta PVC isolata	152	5
Ball valve Valvola a sfera	1	F - F			
Sea-water filter Filtro acqua di mare	1	F - F			L x H (in.)
Straight brass hose connector Portagomma tubi acqua	-	25 - 1" M	Return air grille Griglia di aspirazione		12 x 12
Seawater pump Pompa acqua di mare	1	M - M	Supply grille Griglia di mandata		10 x 6



SECOND SUPPLY GRILLE KIT - KIT SECONDA GRIGLIA DI MANDATA- 0702-0010

	L x H (in.)
Supply grille - Griglia di mandata	10 X 4
	Ø (mm.) L (m.)
PVC insulated duct - Condotta PVC isolata	102 5
	Ø (mm.)
Y Air divider 664 - Plenum a Y 664	152/152/102



Chiller unit

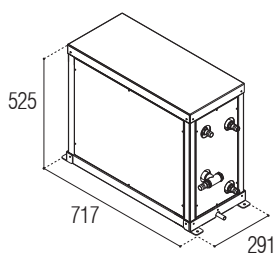
UNITÀ CHILLER

Centralized unit(s) provide cool or warm water circulation to fan coils installed in the cabins. The chiller unit(s) are installed in engine or machinery compartments, keeping circulation water at an established temperature of +7 °C in summer and +37 °C in winter. This water is circulated through fan-coils located in the vessel's cabins.

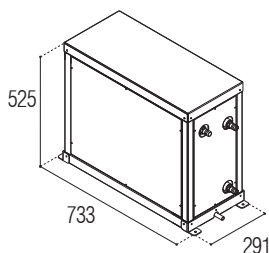
The temperature and fan speed can be regulated in each cabin or switched On/Off.

		WMP020C001	WMP026C001
Nominal cooling capacity Capacità nominale (modalità raffreddamento)	BTU/h	19.300	25.850
Nominal heating capacity Capacità nominale (modalità riscaldamento)	BTU/h	22.800	31.200
Nominal Amperage (cool mode) Assorbimento nominale (modalità raffreddamento)	A	7	10,2
Nominal Amperage (heat mode) Assorbimento nominale (modalità riscaldamento)	A	7,8	11
Voltage/frequency/phase Alimentazione elettrica		230V / 1ph / 50Hz	
Water flow Portata acqua mare	lt/min	27	30

WMP020C001



WMP026C001



Impianti con circolazione di acqua refrigerata (o riscaldata) distribuita ai fancoil installati nei diversi ambienti da climatizzare. L'unità chiller (o le unità in parallelo), installata in un vano tecnico (sala macchine), mantiene l'acqua ad una temperatura prestabilita (+7 °C in estate e +37 °C in inverno). L'acqua, attraverso un circuito chiuso, raggiunge i vari scambiatori (fancoil) posizionati nelle cabine dell'imbarcazione. La regolazione della temperatura in ogni ambiente viene effettuata modulando la velocità e/ o arrestando il ventilatore del fancoil.



Chiller unit control board

QUADRO ELETTRICO UNITÀ CHILLER

The chiller unit (or parallel units) is powered by a control board equipped with an electronic control panel, which allows to manage:

- conditioning system general supply (chiller and fan coil units);
- AC system operating mode (cooling/ heating/ ventilation);
- sea water circuits and fancoil water pump functioning with power-off system.

L'unità chiller (o le unità in parallelo) è alimentata da un quadro elettrico dotato di uno strumento elettronico di controllo, attraverso il quale è possibile gestire:

- l'alimentazione generale dell'impianto aria condizionata (unità chiller e fancoil);
- la modalità di funzionamento del chiller (raffreddamento/riscaldamento/ventilazione);
- il funzionamento delle pompe dei circuiti acqua mare e acqua fancoil a macchina ferma.

Control Panel for Single Chiller Unit

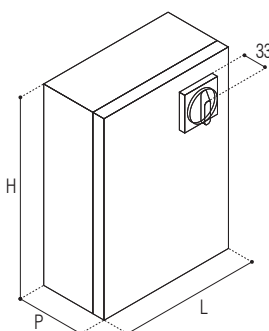
Quadro elettrico per unità chiller singola

version	LxPxH mm.
WP56002494	Standard 310x160x425

Control Panel for Double Chiller Unit

Quadro elettrico per unità chiller doppia

version	LxPxH mm.
WP56002924	Standard 405x200x500



Fancoil

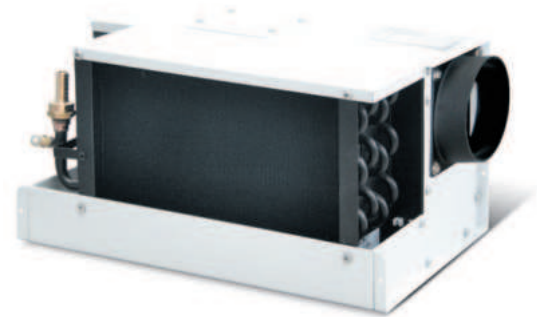
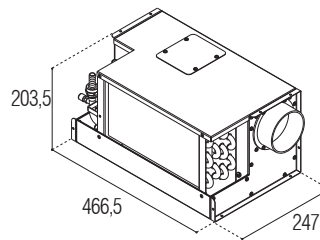
FANCOIL

Upwards air supply or lateral with canalization.

Mandata aria verso l'alto oppure laterale con canalizzazione.

WMF003WF11

Nominal capacity Capacità nominale	BTU/h	3.140
Air flow Portata aria trattata	mc/h	120
Voltage/frequency/phase Alimentazione elettrica	230V / 1ph / 50Hz	
Amp. IN Corrente assorbita	A	0,30
Power IN Potenza assorbita	W	57

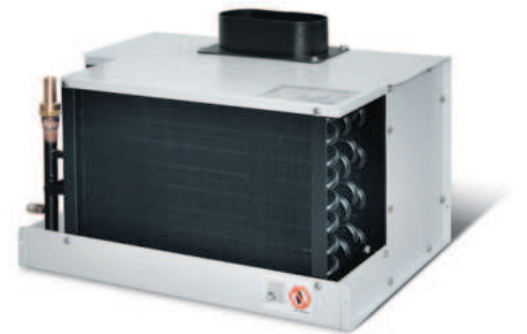
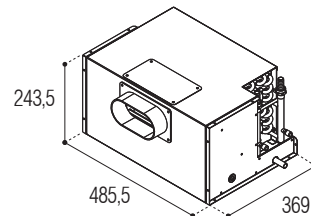


Upwards air supply or rear with canalization.

Mandata aria verso l'alto oppure posteriore con canalizzazione.

WMF009WF81

Nominal capacity Capacità nominale	BTU/h	9.100
Air flow Portata aria trattata	mc/h	380
Voltage/frequency/phase Alimentazione elettrica	230V / 1ph / 50Hz	
Amp. IN Corrente assorbita	A	0,47
Power IN Potenza assorbita	W	100

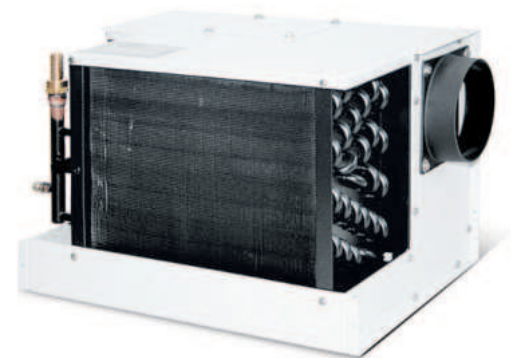
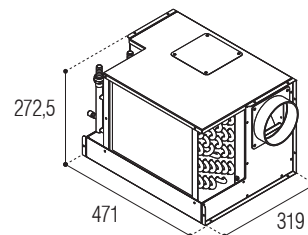


Upwards air supply or lateral with canalization.

Mandata aria verso l'alto oppure laterale con canalizzazione.

WMF011WF11

Nominal capacity Capacità nominale	BTU/h	11.180
Air flow Portata aria trattata	mc/h	440
Voltage/frequency/phase Alimentazione elettrica	230V / 1ph / 50Hz	
Amp. IN Corrente assorbita	A	0,70
Power IN Potenza assorbita	W	159

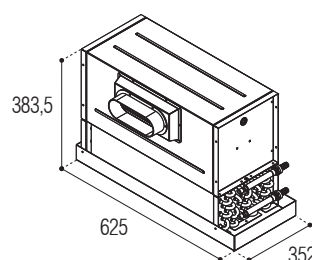


Upwards air supply or frontal with canalization.

Mandata aria verso l'alto oppure frontale con canalizzazione.

WMF017WF21

Nominal capacity Capacità nominale	BTU/h	16.980
Air flow Portata aria trattata	mc/h	650
Voltage/frequency/phase Alimentazione elettrica	230V / 1ph / 50Hz	
Amp. IN Corrente assorbita	A	0,38
Power IN Potenza assorbita	W	87



Fancoil control board

CONTROLLO DEI FANCOIL

Each fancoil is managed by an electronic control board through a control panel (Carel e-drofan + e-droset).

The control panel is easy to use and can be integrated in all the switch lines BTicino (Living international, Light, Light tech, Matix) and Vimar (Idea, Idea Rondò, Plana) through supplied plates.

On the control panel you can adjust:

- the functioning mode (cooling, heating, dehumidification, fan-only);
- the temperature set;
- the fan speed.

Il funzionamento dei fancoil (o del gruppo di fancoil) viene gestito da una scheda elettronica (Carel e-drofan) mediante un pannello comandi (Carel e-droset) di facile utilizzo, integrabile nelle linee di interruttori BTicino (Living International, Light, Light Tech, Matix) e Vimar (Idea, Idea Rondò, Plana) attraverso placche fornite in dotazione.

- la modalità di funzionamento (raffreddamento, riscaldamento, deumidificazione, ventilazione);
- la temperatura desiderata;
- la velocità del ventilatore del fancoil.

WP56002495

Fancoil control board + control panel (standard version)

Scheda controllo Fancoil + Pannello comandi (versione standard)



Return air grilles, ABS frame and fins, assembled air filter.
Griglie di aspirazione, telaio e alette in ABS, filtro aria pre-assemblato



	L (mm.)	H (mm.)
0702-0004	254	254
0702-0006	305	305

Supply grilles, ABS frame
Griglie di mandata, telaio in ABS



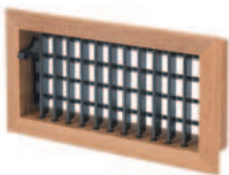
	L (mm.)	H (mm.)
0702-0005	254	102
0702-0007	254	127
0702-0008	305	152

Return air grilles, teak frame, aluminium fins, assembled air filter
Griglie di aspirazione, telaio in teak, alette in alluminio, filtro aria pre-assemblato



	L (mm.)	H (mm.)
WPMSI_RAT 10X10	254	254
WPMSI_RAT 12X6**	305	152
WPMSI_RAT 12X12	305	305

Supply grilles, teak frame, controlled dumping aluminium fins
Griglie di mandata, telaio in teak, alette in alluminio a smorzamento controllato



	L (mm.)	H (mm.)
WPMSI_VMLT 8X4	203	102
WPMSI_VMLT 10X4	254	102
WPMSI_VMLT 10X5	254	127
WPMSI_VMLT 10X6	254	152

Standard transition plenums
Plenum di transizione standard



	L (mm.)	H (mm.)
WPMSI_TB105	254	127
WPMSI_TB106	254	152

Air flow transition plenums back molded ring
Plenum di transizione con anello fissatubo formato sul retro



	L (mm.)	H (mm.)	Ø (mm.*)
WPMSI_TB64-4B**	152	102	102
WPMSI_TB84-4B	203	102	102

(*) Ø Tubo - Hose

Flat oval hose ring to be mounted on plenums
Anello fissatubo ovale piatto da montare sui plenum



	Ø (mm.*)
WPMSI_HRF4	102
WPMSI_HRF5	127
WPMSI_HRF6	152
WPMSI_HRF7	178

(*) Ø Hose - Tubo

Air dividers (1) T plenum, (2) Y plenum
Plenum di divisione flusso d'aria, (1) plenum a T, (2) plenum a Y



		Ø IN (mm.*)	Ø OUT (mm.*)
1	WPMSI_HT544**	127	102+102
	WPMSI_HT644	152	102+102
	WPMSI_HT755	178	127+127



2	WPMSI_HY644	152	102+102
	WPMSI_HY755	178	127+127
	0702-0009	152	102+152

(*) Ø Hose - Tubo

** While stock lasts
Fino ad esaurimento scorte

Air distribution insulated ducts. Thermal and acoustic insulation guaranteed. Double-walled flexible PVC pipe. Colour: grey.

Tubi di distribuzione aria. Garantisce un adeguato isolamento termico e acustico. Tubo flessibile in PVC a doppia parete. Colore grigio.



	Ø Air duct Ø Condotta aria (mm.*)
0702-0011	102
0702-0012	127
0702-0013	152
WP518006**	180

(*) Ø Hose - Tubo

Fire class Classe di reazione al fuoco	1
Temperature range Temperatura di esercizio	-20°C +90°C
Max air speed Velocità max aria	30 m/sec. 2.500 Pa

Sea-water pumps “Magnetic drive”

Pompe acqua mare tipo “magnetic drive”

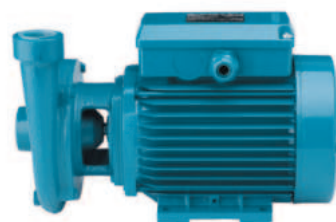
	Water flow Portata max	Power supply Alimentazione	AMP IN Corr. ass.	Dimensions Dimensioni	Weight Peso	Water Inlet Entrata acqua	Water Outlet Uscita acqua
	lt./h	V / Ph / F	A	LxDxH (mm)	kg.	mm.	mm.
WPPMD371.230/ 50	1.416	230V / 1ph / 50Hz	0,19	179x104x108	1,7	17	17
WPPMD421.230/ 50	2.220	230V / 1ph / 50Hz	0,38	240x120x130	3,4	20	20
WPPMD641.230/ 50	3.360	230V / 1ph / 50Hz	0,60	230x115x155	4,8	26	26



Sea-water pumps, close-coupled centrifugal with open impeller

Pompe acqua mare centrifughe monoblocco con girante aperta

	Water flow Portata max	Power supply Alimentazione	AMP IN Corr. ass.	Dimensions Dimensioni	Weight Peso	Water Inlet Entrata acqua	Water Outlet Uscita acqua
	lt./h	V / Ph / F	A	LxDxH (mm)	kg.	in.	in.
WPB-CM20E	1.500 / 12,2 m	230V / 1ph / 50Hz	2,8	303x177x161	9,1	1	1
	3.000 / 11,5 m						
	4.800 / 9 m						
WPB-CM22E	1.500 / 21 m	230V / 1ph / 50Hz	4,5	303x177x161	9,6	1	1
	4.800 / 17,5 m						
	6.600 / 7,5 m						



Pump relay boxes for installations of multiple AC units with a single water pump

Quadri relè comando pompa per installazioni di più unità AC con una sola pompa acqua mare



WP56003087	2 units/unità	AC 230V / 1ph / 50Hz
WP56003088	3 units/unità	AC 230V / 1ph / 50Hz
WP56003089	4 units/unità	AC 230V / 1ph / 50Hz

Sea water intakes. Brass sea water intakes

Prese acqua mare. Prese acqua mare in ottone

	inches
WP5189503	1/2
WP5189504	3/4
WP5189505	1



Brass sea-water manifolds

Collettore di distribuzione in ottone



WP529012	1 inlet - ingresso	2 outlets - uscite
WP529013	1 inlet - ingresso	3 outlets - uscite
WP529014	1 inlet - ingresso	4 outlets - uscite

Chromium-plated brass thru-hull connections

Collegamenti in ottone cromato

	inches
WP519503	1/2
WP519504	3/4
WP519505	1



Sea water strainer. Nickel-plated brass (bronze for the 1” model), with nickel finish and locking dish made of transparent polycarbonate

Filtro depurazione acqua in ottone (bronzo per il modello da 1”), con finitura nichelata e disco di chiusura in policarbonato trasparente



	inches
WP519443	1/2
WP519444	3/4
WP519435	1

Ball valve for sea-water circuit

Valvola a sfera per intercettazione circuito acqua mare

	inches
WP519723	1/2
WP519724	3/4
WP519725	1



Transparent PVC hose

Tubo in PVC trasparente con armatura

	Internal diameter - Diametro interno (mm.)
WP519911	16
WP519912	20
WP519914	25



Straight brass hose connectors

Portagomma tubi acqua

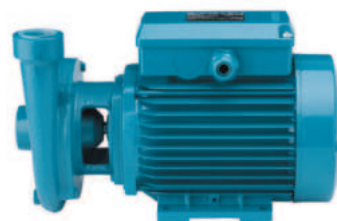
	External diameter Diametro esterno (mm.)	Thread Filettatura (in.)
WP519911	16	1/2
WP519912	20	3/4
WP519914	25	1



Water circulations pumps. Close-coupled centrifugal pumps with open impeller. Cast iron pump/brass impeller

Pompe di circolazione. Pompe centrifughe con girante aperta. Corpo pompa in ghisa e girante in ottone

	Water flow Portata max lt./h	Power supply Alimentazione V / Ph / F	AMP IN Corr. ass. A	Dimensions Dimensioni LxDxH (mm)	Weight Peso kg.	Water Inlet Entrata acqua in.	Water Outlet Uscita acqua in.
WPCM20E	1.500 / 12,2 m 3.000 / 11,5 m 4.800 / 9 m	230V / 1ph / 50Hz	2,5	263x149x153	6,8	G1	G1
WPCM22E	1.500 / 21 m 4.800 / 17,5 m 6.600 / 7,5 m	230V / 1ph / 50Hz	3,5	263x171x173	8,3	G1	G1



Deaerator. Continuous air removal device for fancoil circuits. Brass built, inside brass and stainless steel

Disaeratore. Dispositivo per l'eliminazione continua dell'aria presente all'interno dei circuiti acqua fancoil. Corpo in ottone, parti interne in ottone e acciaio inox



	Water flow Portata max lt./h	Water connect Attacchi acqua in.	Dimensions Dimensioni LxDxH (mm)	Weight Peso kg.
WP519894	23	3 / 4	110 x 146	1,7
WP519895	35	1	110 x 146	1,7
WP519896	58	1 1/4	124 x 166	2,2

Water expansion tanks

Vasi d'espansione



	Volume Capacità lt.	Connection Attacco in.
WP519900	2	1 / 2
WP519901	5	3 / 4
WP519902	8	3 / 4
WP519903	12	3 / 4

Brass sea-water manifolds. You can mate them to get more outputs.

Collettore di distribuzione in ottone. I collettori sono modulari: accoppiandoli si possono ottenere più uscite.



WP529002	1 inlet - ingresso	2 outlets - uscite
WP529003	1 inlet - ingresso	3 outlets - uscite
WP529005	1 inlet - ingresso	5 outlets - uscite
WP529006	1 inlet - ingresso	6 outlets - uscite

Water pipes

Tubazioni acqua



	Diametro interno - Internal diameter (mm.)	
WP519990	12x17	
WP519991	16x23	
WP519992	20x30	
WP519994	25x35	

Gauge manifolds

Gruppi manometrici

WP529022



Water hoses insulation. Synthetic-rubber-based elastomer foam with closed cell internal structure.

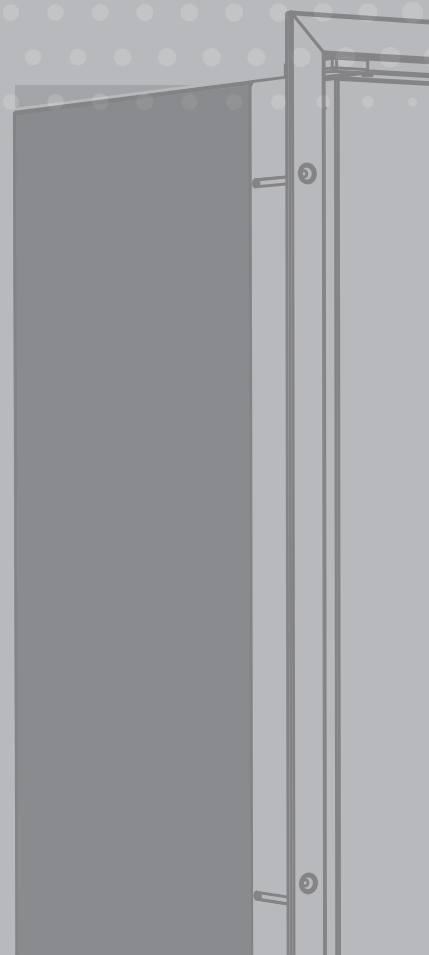
Isolamento per tubazione acqua. Guaina isolante in elastomero espanso, a base di gomma sintetica con struttura interna a celle chiuse.

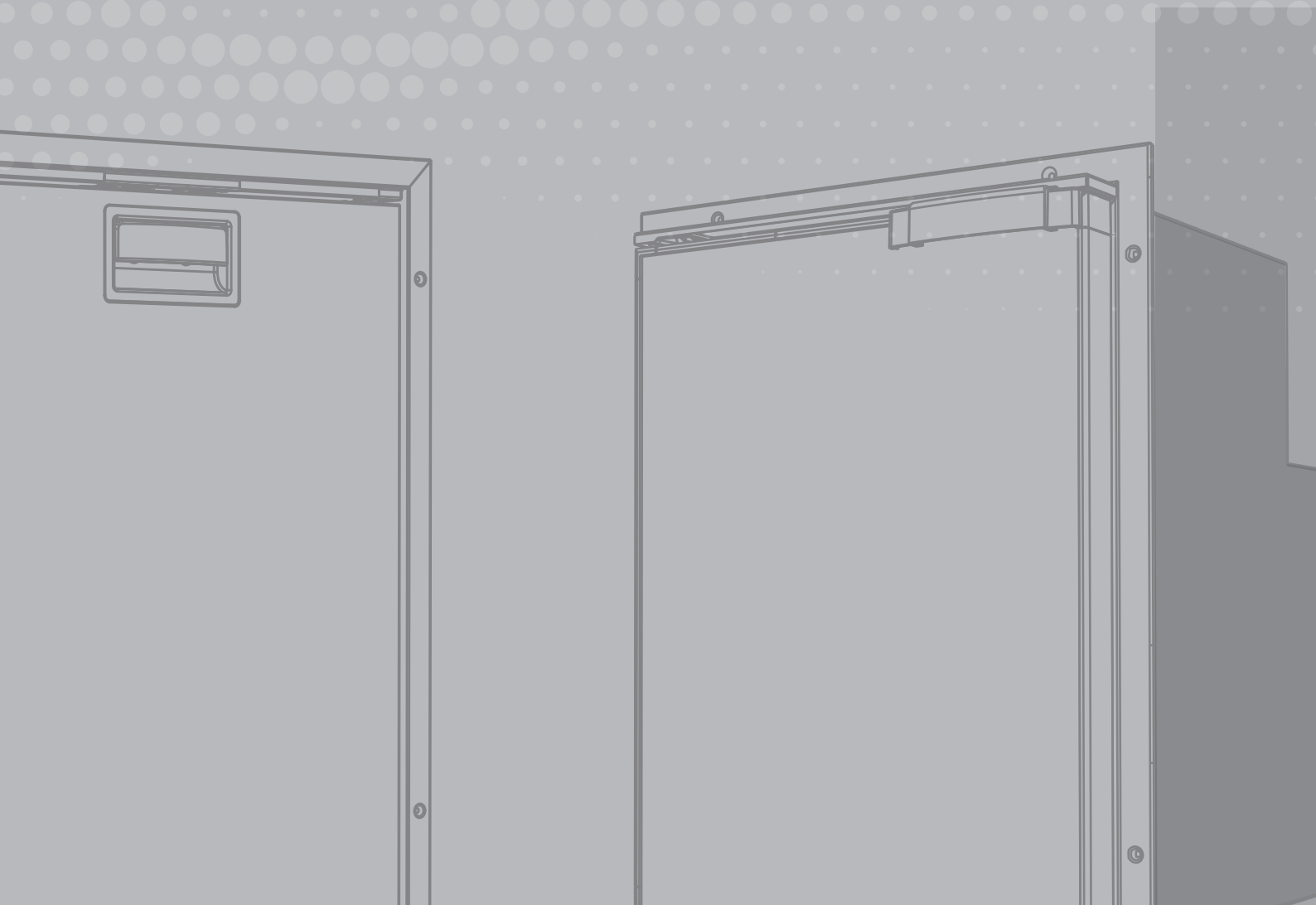


	Ø Hose - Tubo (mm.)	Thick - Spessore (mm.)
WPD15	12x17	6
WPG22	16x23	9
WPG28	20x30	9
WPH35	25x35	13

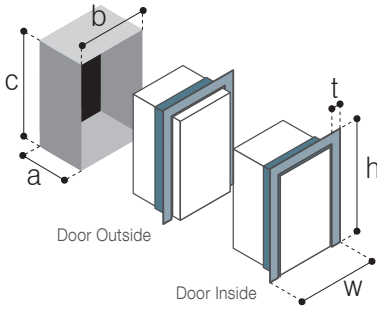
TECHNICAL DRAWINGS

DISEGNI TECNICI



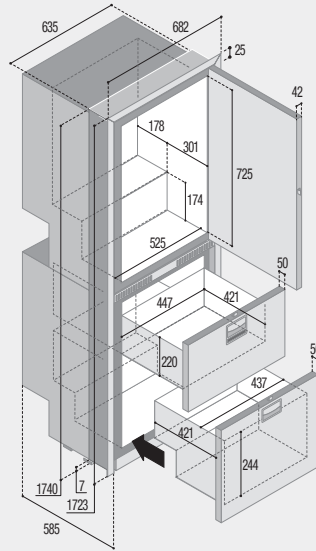


DRW SERIES
DW OCX2 SERIES



DRW360A

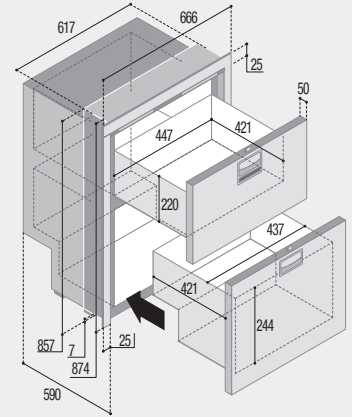
pag. 18



	DOOR	INSIDE	OUTSIDE
MOUNTING FLANGE PROFILO DI FISSAGGIO	t: 25	25	25
	w: 682	682	682
	h: 1732	1732	1732
BUILT-IN VANO INCASSO	a: 585	541	541
	b: 635	635	635
	c: 1710	1710	1710

DRW180A

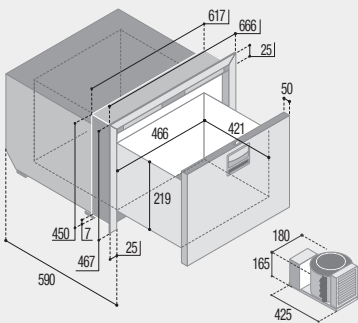
pag. 19



	DOOR	INSIDE	OUTSIDE
MOUNTING FLANGE PROFILO DI FISSAGGIO	t: 25	25	25
	w: 666	666	666
	h: 874	874	874
BUILT-IN VANO INCASSO	a: 590	540	540
	b: 617	617	617
	c: 857	857	857

DRW70A

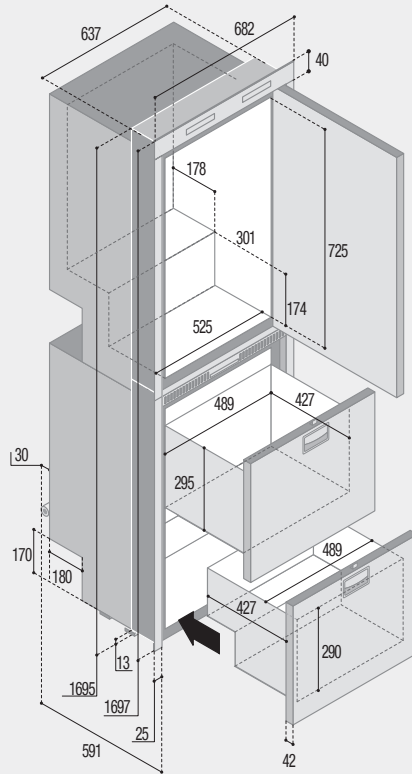
pag. 19



	DOOR	INSIDE	OUTSIDE
MOUNTING FLANGE PROFILO DI FISSAGGIO	t: 25	25	25
	w: 666	666	666
	h: 467	467	467
BUILT-IN VANO INCASSO	a: 590	540	540
	b: 617	617	617
	c: 450	450	450

DW360 OCX2

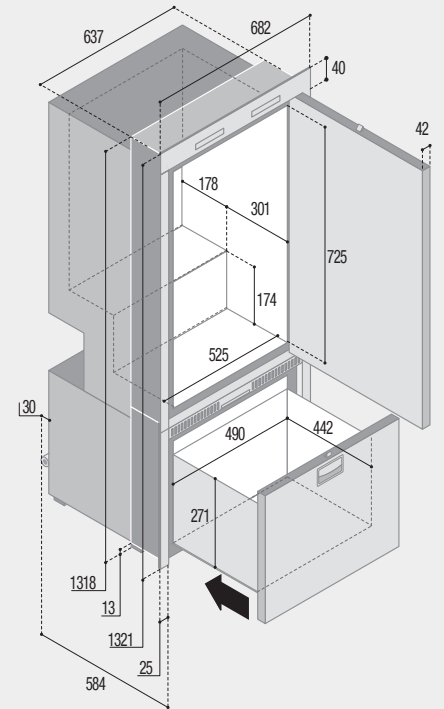
pag. 24



	DOOR	INSIDE	OUTSIDE
MOUNTING FLANGE PROFILO DI FISSAGGIO	t: 25/40	25/40	25/40
	w: 682	682	682
	h: 1697	1697	1697
BUILT-IN VANO INCASSO	a: 591	550	550
	b: 637	637	637
	c: 1695	1695	1695

DW250 OCX2

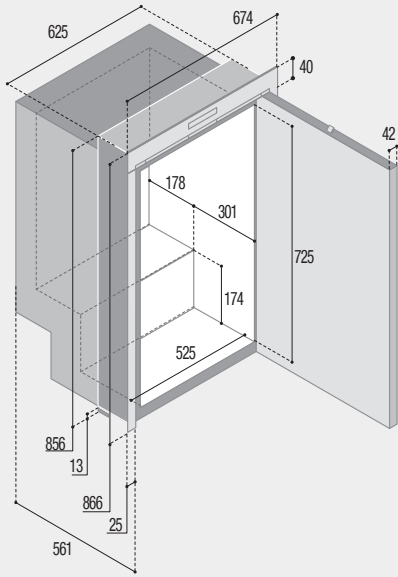
pag. 24



	DOOR	INSIDE	OUTSIDE
MOUNTING FLANGE PROFILO DI FISSAGGIO	t: 25/40	25/40	25/40
	w: 682	682	682
	h: 1321	1321	1321
BUILT-IN VANO INCASSO	a: 584	542	542
	b: 637	637	637
	c: 1318	1318	1318

C180 OCX2

pag. 25



DOOR	INSIDE	OUTSIDE
------	--------	---------

MOUNTING FLANGE
PROFILO DI FISSAGGIO

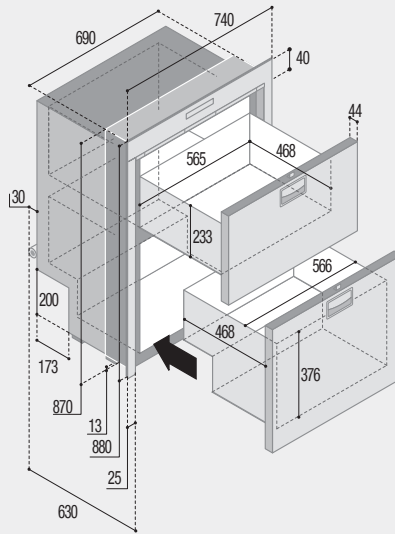
t:	25/40	25/40
w:	674	674
h:	866	866

BUILT-IN
VANO INCASSO

a:	561	517
b:	625	625
c:	856	856

DW210 OCX2

pag. 25



DOOR	INSIDE	OUTSIDE
------	--------	---------

MOUNTING FLANGE
PROFILO DI FISSAGGIO

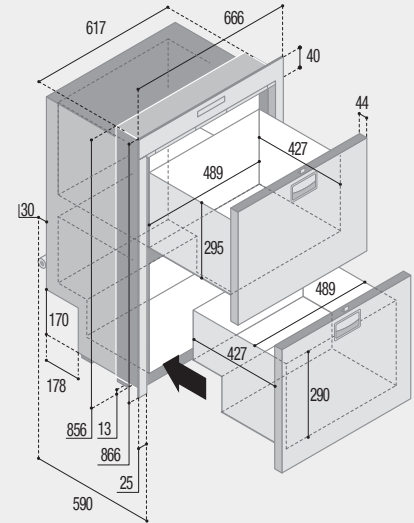
t:	25/40	25/40
w:	740	740
h:	880	880

BUILT-IN
VANO INCASSO

a:	630	585
b:	690	690
c:	870	870

DW180 OCX2

pag. 26



DOOR	INSIDE	OUTSIDE
------	--------	---------

MOUNTING FLANGE
PROFILO DI FISSAGGIO

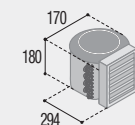
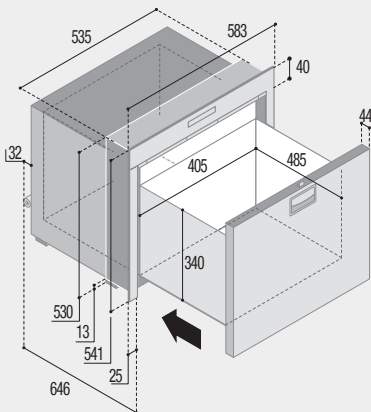
t:	25/40	25/40
w:	666	666
h:	866	866

BUILT-IN
VANO INCASSO

a:	590	546
b:	617	617
c:	856	856

DW100 OCX2

pag. 26



MOUNTING FLANGE
PROFILO DI FISSAGGIO

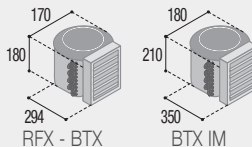
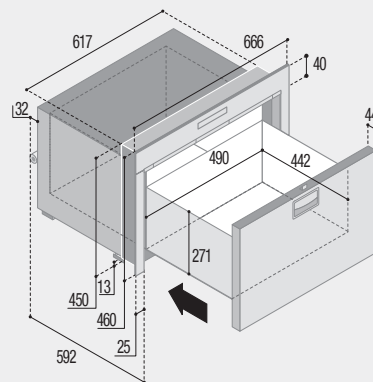
DOOR	INSIDE	OUTSIDE
t:	25/40	25/40
w:	583	583
h:	541	541

BUILT-IN
VANO INCASSO

a:	646	603
b:	535	535
c:	530	530

DW70 OCX2

pag. 27



MOUNTING FLANGE
PROFILO DI FISSAGGIO

DOOR	INSIDE	OUTSIDE
t:	25/40	25/40
w:	666	666
h:	460	460

BUILT-IN
VANO INCASSO

a:	592	548
b:	617	617
c:	450	450

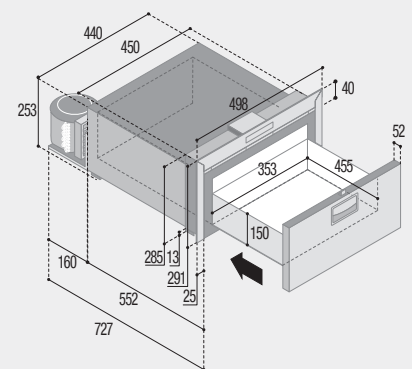
DW70 OCX2 BTX IM

Total depth
Profondità totale

588 mm. (Door Outside)
626 mm. (Door Inside)

DW35 OCX2

pag. 27



MOUNTING FLANGE
PROFILO DI FISSAGGIO

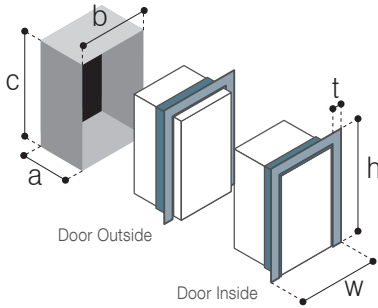
DOOR	INSIDE	OUTSIDE
t:	25/40	25/40
w:	498	498
h:	291	291

BUILT-IN
VANO INCASSO

a:	727	675
b:	450	450
c:	285	285

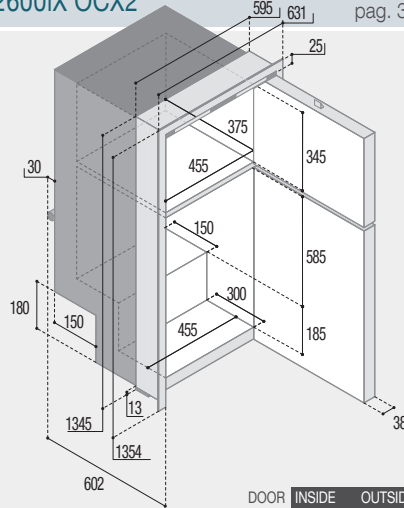
OCX2 SERIES

DRINKS SERIES



DP2600iX OCX2

pag. 32



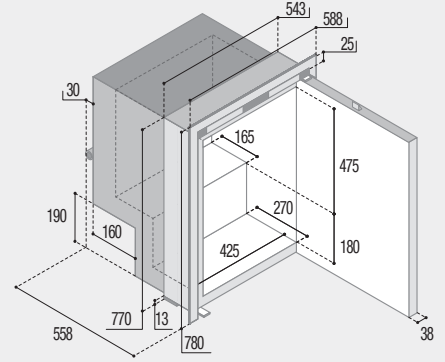
MOUNTING FLANGE
PROFILO DI FISSAGGIO

BUILT-IN
VANO INCASSO

DOOR	INSIDE	OUTSIDE
t:	25	25
w:	631	631
h:	1354	1354
a:	602	561
b:	595	595
c:	1345	1345

C115iX - C115iAX OCX2

pag. 32



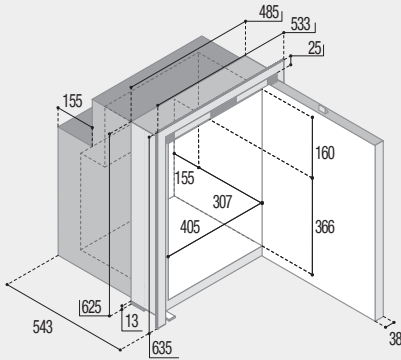
MOUNTING FLANGE
PROFILO DI FISSAGGIO

BUILT-IN
VANO INCASSO

DOOR	INSIDE	OUTSIDE
t:	25	25
w:	588	588
h:	780	780
a:	558	515
b:	543	543
c:	770	770

C90iX OCX2

pag. 32



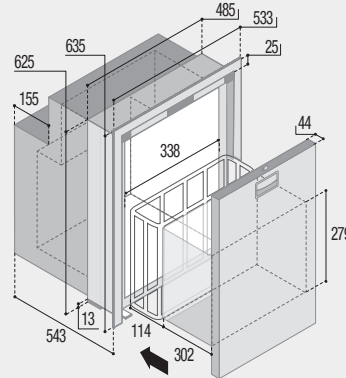
MOUNTING FLANGE
PROFILO DI FISSAGGIO

BUILT-IN
VANO INCASSO

DOOR	INSIDE	OUTSIDE
t:	25	25
w:	533	533
h:	635	635
a:	543	500
b:	485	485
c:	625	625

DW90 OCX2 RFX

pag. 33



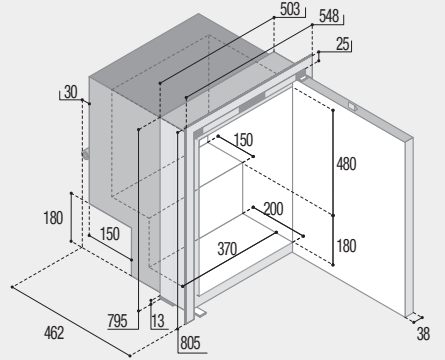
MOUNTING FLANGE
PROFILO DI FISSAGGIO

BUILT-IN
VANO INCASSO

DOOR	INSIDE	OUTSIDE
t:	25	25
w:	533	533
h:	635	635
a:	543	500
b:	485	485
c:	625	625

C85iX - C85iAX OCX2

pag. 33



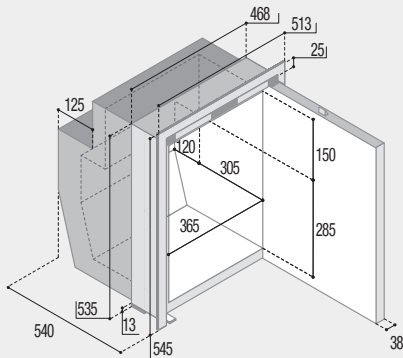
MOUNTING FLANGE
PROFILO DI FISSAGGIO

BUILT-IN
VANO INCASSO

DOOR	INSIDE	OUTSIDE
t:	25	25
w:	548	548
h:	805	805
a:	462	419
b:	503	503
c:	795	795

C62iX OCX2

pag. 33



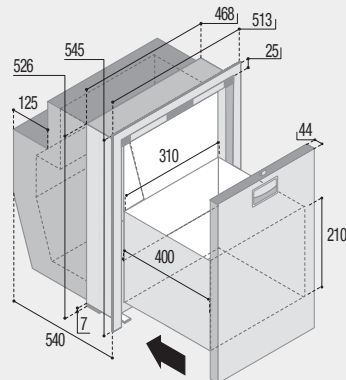
MOUNTING FLANGE
PROFILO DI FISSAGGIO

BUILT-IN
VANO INCASSO

DOOR	INSIDE	OUTSIDE
t:	25	25
w:	513	513
h:	545	545
a:	540	482
b:	468	468
c:	535	535

DW62 OCX2 RFX

pag. 34



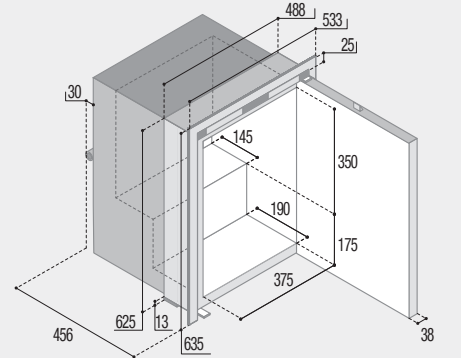
MOUNTING FLANGE
PROFILO DI FISSAGGIO

BUILT-IN
VANO INCASSO

DOOR	INSIDE	OUTSIDE
t:	25	25
w:	513	513
h:	545	545
a:	540	482
b:	468	468
c:	526	526

C60iX - C60iAX OCX2

pag. 34



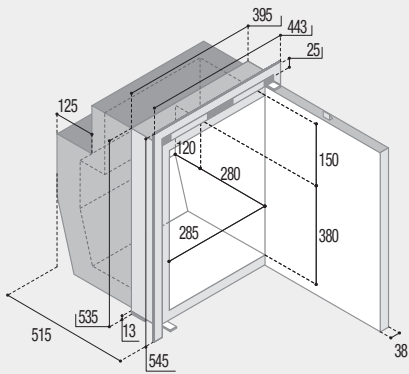
MOUNTING FLANGE
PROFILO DI FISSAGGIO

BUILT-IN
VANO INCASSO

DOOR	INSIDE	OUTSIDE
t:	25	25
w:	533	533
h:	635	635
a:	456	413
b:	488	488
c:	625	625

C51ix OCX2

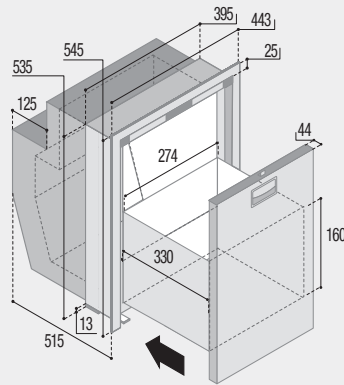
pag. 34



	DOOR	INSIDE	OUTSIDE
MOUNTING FLANGE	t: 25	25	
PROFILO DI FISSAGGIO	w: 443	443	
	h: 545	545	
BUILT-IN	a: 515	472	
VANO INCASSO	b: 395	395	
	c: 535	535	

DW51 OCX2 RFX

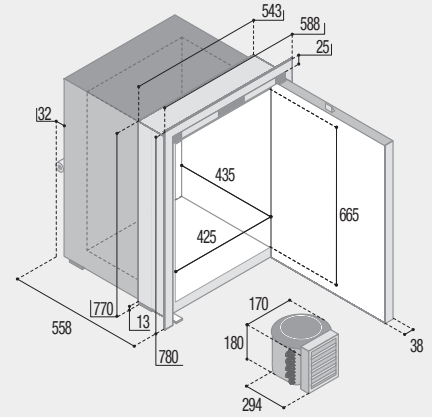
pag. 35



	DOOR	INSIDE	OUTSIDE
MOUNTING FLANGE	t: 25	25	
PROFILO DI FISSAGGIO	w: 443	443	
	h: 545	545	
BUILT-IN	a: 515	472	
VANO INCASSO	b: 395	395	
	c: 535	535	

C130LX - C130LAX OCX2

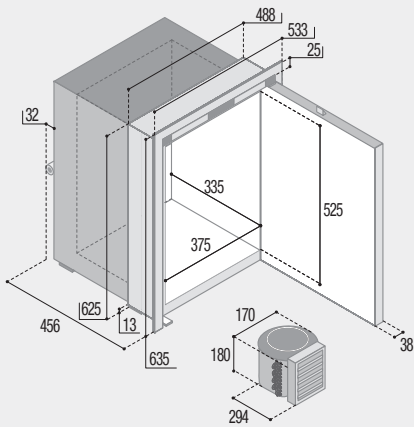
pag. 35



	DOOR	INSIDE	OUTSIDE
MOUNTING FLANGE	t: 25	25	
PROFILO DI FISSAGGIO	w: 588	588	
	h: 780	780	
BUILT-IN	a: 558	515	
VANO INCASSO	b: 543	543	
	c: 770	770	

C75LX - C75LAX OCX2

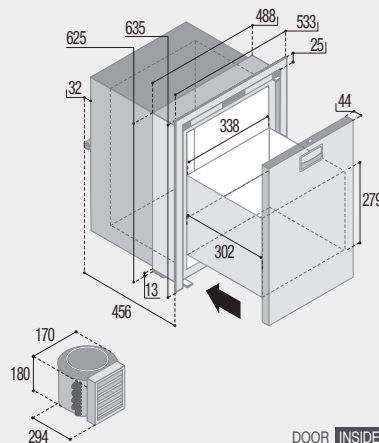
pag. 36



	DOOR	INSIDE	OUTSIDE
MOUNTING FLANGE	t: 25	25	
PROFILO DI FISSAGGIO	w: 533	533	
	h: 635	635	
BUILT-IN	a: 456	413	
VANO INCASSO	b: 488	488	
	c: 625	625	

DW75 OCX2 RFX

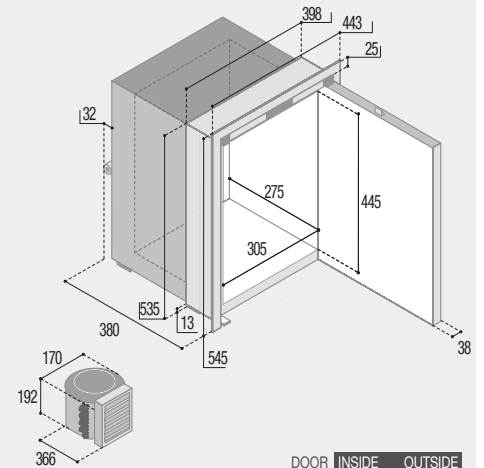
pag. 36



	DOOR	INSIDE	OUTSIDE
MOUNTING FLANGE	t: 25	25	
PROFILO DI FISSAGGIO	w: 533	533	
	h: 635	635	
BUILT-IN	a: 456	413	
VANO INCASSO	b: 488	488	
	c: 625	625	

C42LX OCX2

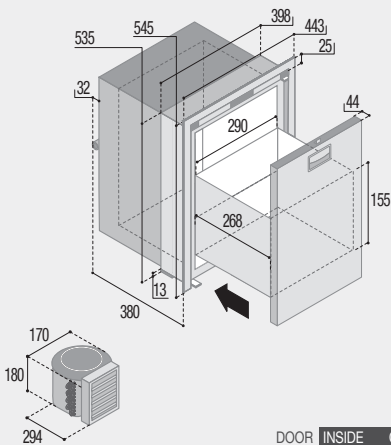
pag. 37



	DOOR	INSIDE	OUTSIDE
MOUNTING FLANGE	t: 25	25	
PROFILO DI FISSAGGIO	w: 443	443	
	h: 545	545	
BUILT-IN	a: 380	337	
VANO INCASSO	b: 398	398	
	c: 535	535	

DW42 OCX2 RFX

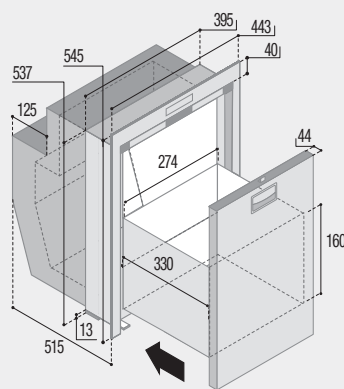
pag. 37



	DOOR	INSIDE	OUTSIDE
MOUNTING FLANGE	t: 25	25	
PROFILO DI FISSAGGIO	w: 443	443	
	h: 545	545	
BUILT-IN	a: 380	337	
VANO INCASSO	b: 398	398	
	c: 535	535	

DW51 OCX2 DRINKS

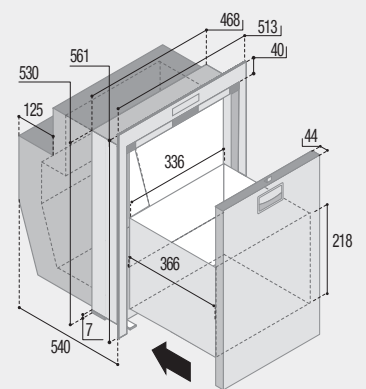
pag. 41



	DOOR	INSIDE	OUTSIDE
MOUNTING FLANGE	t: 25	25	
PROFILO DI FISSAGGIO	w: 443	443	
	h: 545	545	
BUILT-IN	a: 515	472	
VANO INCASSO	b: 395	395	
	c: 537	537	

DW62 OCX2 DRINKS

pag. 41

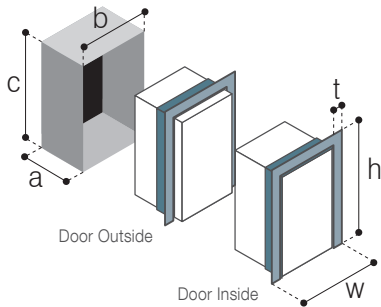


	DOOR	INSIDE	OUTSIDE
MOUNTING FLANGE	t: 25	25	
PROFILO DI FISSAGGIO	w: 513	513	
	h: 561	561	
BUILT-IN	a: 540	495	
VANO INCASSO	b: 468	468	
	c: 530	530	

DRINKS SERIES

CFR OXC2

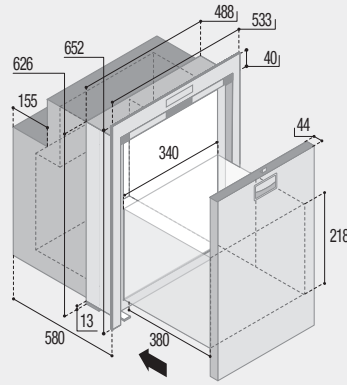
ICEMAKER SERIES



(*) Door outside version dimension
Dimensioni versione door outside

DW90 OXC2 DRINKS

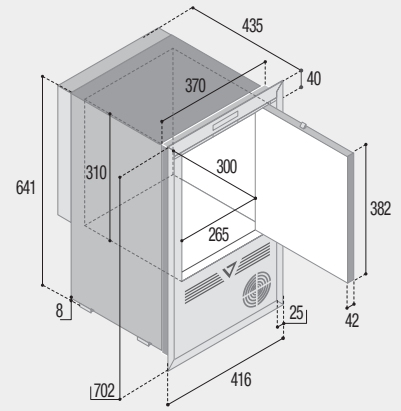
pag. 41



	DOOR	INSIDE	OUTSIDE
MOUNTING FLANGE PROFILO DI FISSAGGIO	t:	25	25
	w:	533	533
	h:	652	652
BUILT-IN VANO INCASSO	a:	580	540
	b:	488	488
	c:	626	626

CFR CL OXC2

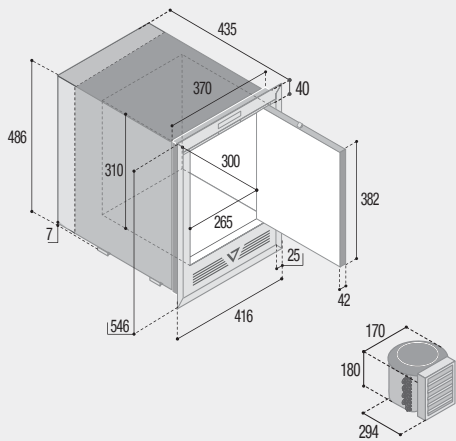
pag. 43



	DOOR	INSIDE	OUTSIDE
MOUNTING FLANGE (*) PROFILO DI FISSAGGIO	t:	25/40	25/40
	w:	416	416
	h:	702	702
BUILT-IN (*) VANO INCASSO	a:	435	400
	b:	370	370
	c:	641	641

CFR XR OXC2

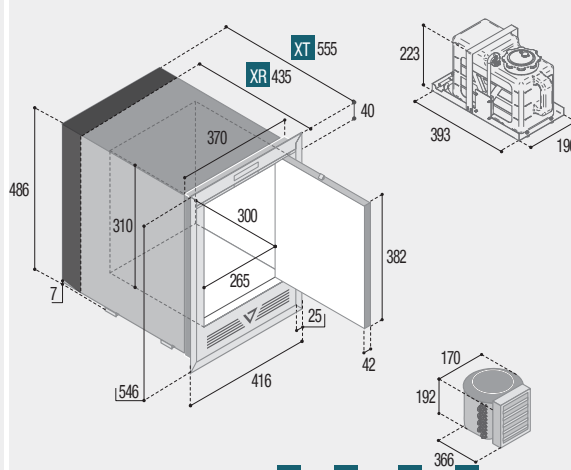
pag. 43



	DOOR	INSIDE	OUTSIDE
MOUNTING FLANGE (*) PROFILO DI FISSAGGIO	t:	25/40	25/40
	w:	416	416
	h:	546	546
BUILT-IN (*) VANO INCASSO	a:	435	400
	b:	370	370
	c:	486	486

IM XT OXC2 HYDRO/REFILL
IM XR OXC2 HYDRO/REFILL

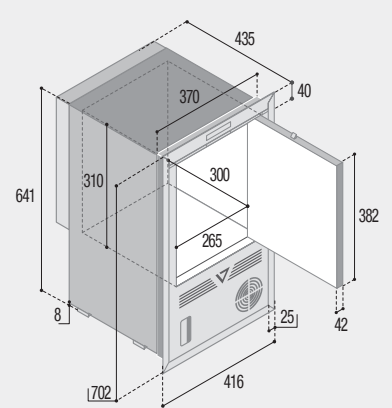
pag. 48



	DOOR	INSIDE	OUTSIDE
MOUNTING FLANGE (*) PROFILO DI FISSAGGIO	t:	25/40	25/40
	w:	416	416
	h:	546	546
BUILT-IN (*) VANO INCASSO	a:	435	555
	b:	370	370
	c:	486	486

IM CL OXC2 HYDRO/REFILL

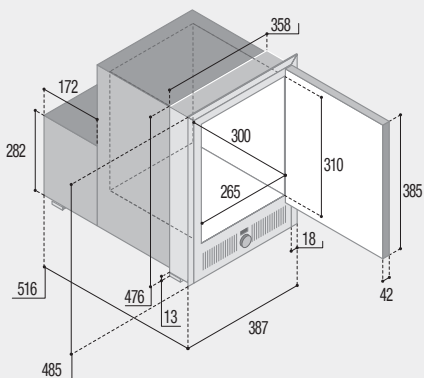
pag. 49



	DOOR	INSIDE	OUTSIDE
MOUNTING FLANGE (*) PROFILO DI FISSAGGIO	t:	25/40	25/40
	w:	416	416
	h:	702	702
BUILT-IN (*) VANO INCASSO	a:	435	400
	b:	370	370
	c:	641	641

IM XT HYDRO (12Vdc)

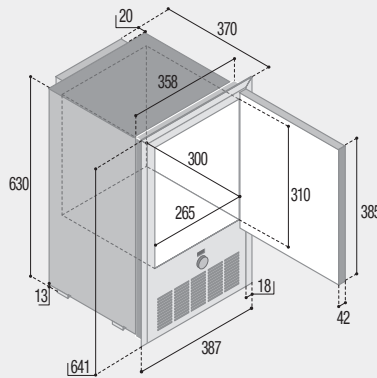
pag. 50



	DOOR	INSIDE	OUTSIDE
MOUNTING FLANGE (*) PROFILO DI FISSAGGIO	t:	25	18
	w:	415	387
	h:	523	485
BUILT-IN (*) VANO INCASSO	a:	556	516
	b:	373	358
	c:	478	476

IM CL HYDRO (12Vdc)

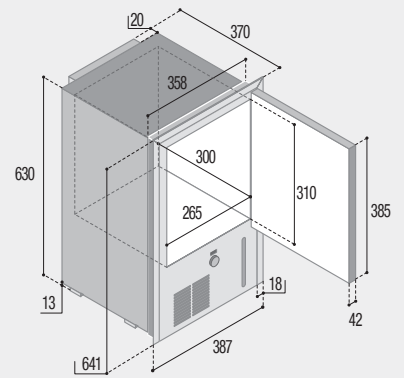
pag. 51



	DOOR	INSIDE	OUTSIDE
MOUNTING FLANGE (*) PROFILO DI FISSAGGIO	t:	25	18
	w:	415	387
	h:	674	641
BUILT-IN (*) VANO INCASSO	a:	413	370
	b:	373	358
	c:	630	630

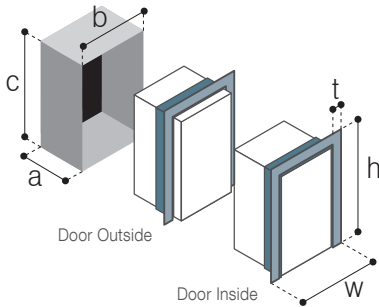
IM CL REFILL (12Vdc)

pag. 51



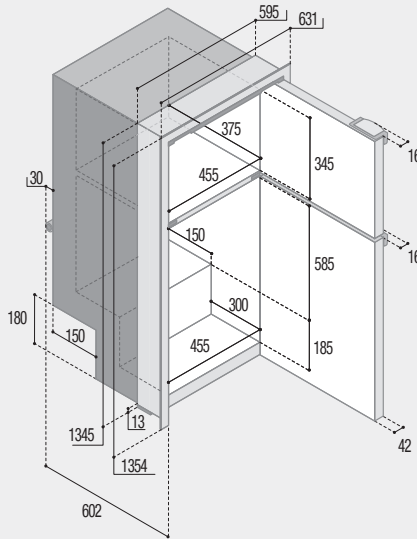
	DOOR	INSIDE	OUTSIDE
MOUNTING FLANGE (*) PROFILO DI FISSAGGIO	t:	25	18
	w:	415	387
	h:	674	641
BUILT-IN (*) VANO INCASSO	a:	413	370
	b:	373	358
	c:	630	630

CHROMELOCK SERIES



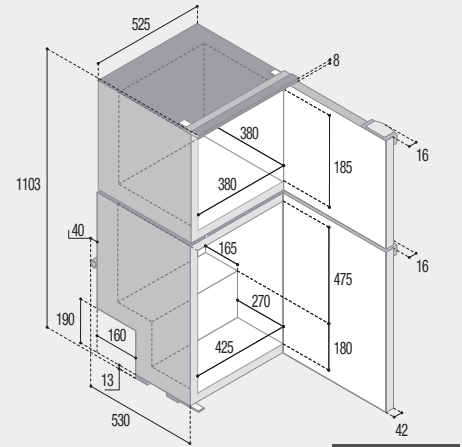
DP2600i CHR

pag. 58



DP150i CHR

pag. 58



DOOR	INSIDE	OUTSIDE
------	--------	---------

MOUNTING FLANGE
PROFILO DI FISSAGGIO

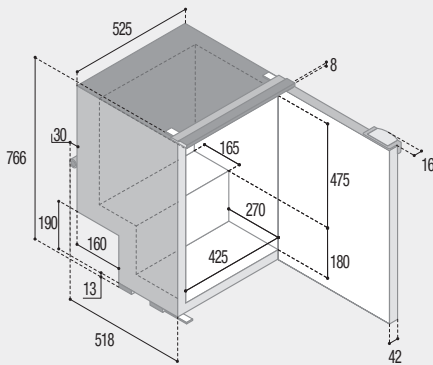
t:	25	25
w:	588	588
h:	1107	1107

BUILT-IN
VANO INCASSO

a:	565	523
b:	540	540
c:	1095	1095

C115i - C115iA CHR

pag. 59



DOOR	INSIDE	OUTSIDE
------	--------	---------

MOUNTING FLANGE
PROFILO DI FISSAGGIO

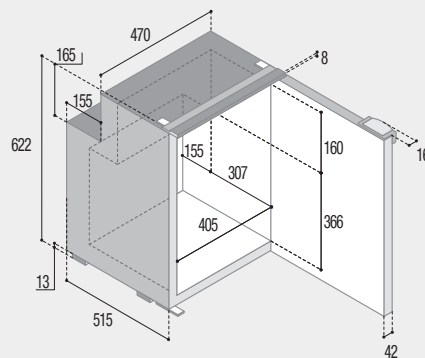
t:	25	25
w:	588	588
h:	804	804

BUILT-IN
VANO INCASSO

a:	556	513
b:	540	540
c:	768	768

C90i CHR

pag. 59



DOOR	INSIDE	OUTSIDE
------	--------	---------

MOUNTING FLANGE
PROFILO DI FISSAGGIO

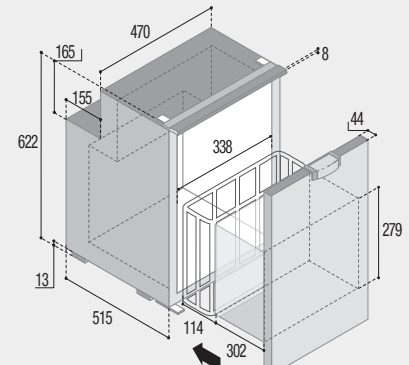
t:	25	25
w:	533	533
h:	659	659

BUILT-IN
VANO INCASSO

a:	552	510
b:	485	485
c:	623	623

C90DW CHR

pag. 59



DOOR	INSIDE	OUTSIDE
------	--------	---------

MOUNTING FLANGE
PROFILO DI FISSAGGIO

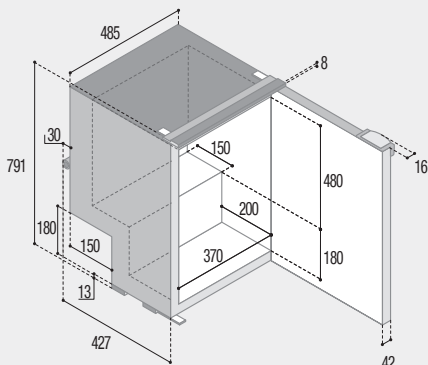
t:	25	25
w:	533	533
h:	659	659

BUILT-IN
VANO INCASSO

a:	552	510
b:	485	485
c:	623	623

C85i - C85iA CHR

pag. 60



DOOR	INSIDE	OUTSIDE
------	--------	---------

MOUNTING FLANGE
PROFILO DI FISSAGGIO

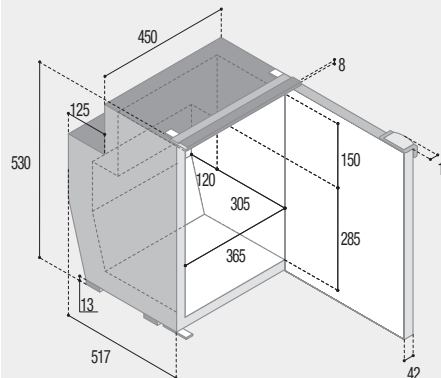
t:	25	25
w:	548	548
h:	829	829

BUILT-IN
VANO INCASSO

a:	464	422
b:	500	500
c:	792	792

C62i CHR

pag. 60



DOOR	INSIDE	OUTSIDE
------	--------	---------

MOUNTING FLANGE
PROFILO DI FISSAGGIO

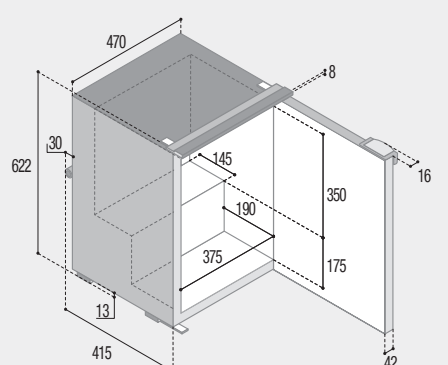
t:	25	25
w:	513	513
h:	568	568

BUILT-IN
VANO INCASSO

a:	554	512
b:	465	465
c:	533	533

C60i - C60iA CHR

pag. 60



DOOR	INSIDE	OUTSIDE
------	--------	---------

MOUNTING FLANGE
PROFILO DI FISSAGGIO

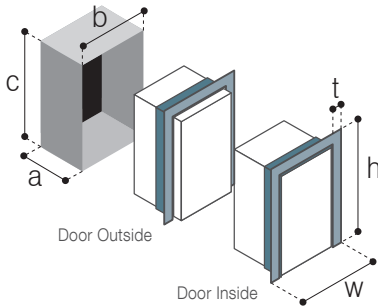
t:	25	25
w:	533	533
h:	659	659

BUILT-IN
VANO INCASSO

a:	453	410
b:	485	485
c:	623	623

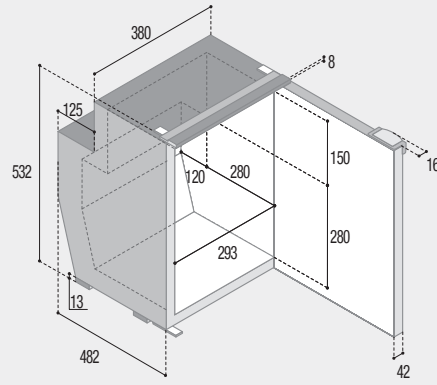
CHROMELOCK SERIES

TOP LOADING SERIES



C51i CHR

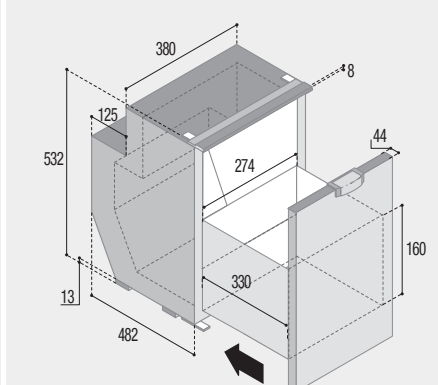
pag. 61



	DOOR	INSIDE	OUTSIDE
MOUNTING FLANGE PROFILO DI FISSAGGIO	t: 25	25	
	w: 443	443	
	h: 569	569	
BUILT-IN VANO INCASSO	a: 519	477	
	b: 395	395	
	c: 533	533	

C51DW CHR

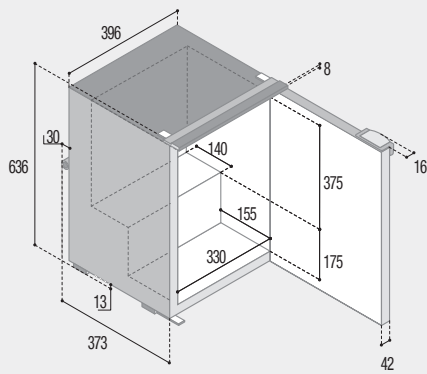
pag. 61



	DOOR	INSIDE	OUTSIDE
MOUNTING FLANGE PROFILO DI FISSAGGIO	t: 25	25	
	w: 443	443	
	h: 569	569	
BUILT-IN VANO INCASSO	a: 519	477	
	b: 395	395	
	c: 533	533	

C50i CHR

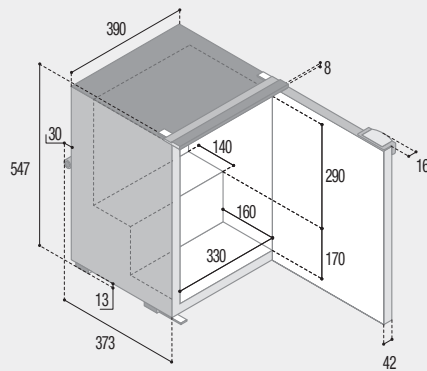
pag. 61



	DOOR	INSIDE	OUTSIDE
MOUNTING FLANGE PROFILO DI FISSAGGIO	t: 25	25	
	w: 459	459	
	h: 674	674	
BUILT-IN VANO INCASSO	a: 415	365	
	b: 411	411	
	c: 638	638	

C39i CHR

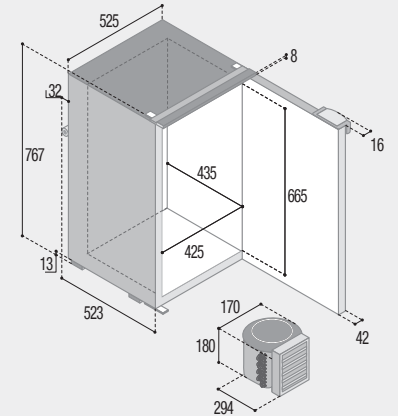
pag. 61



	DOOR	INSIDE	OUTSIDE
MOUNTING FLANGE PROFILO DI FISSAGGIO	t: 25	25	
	w: 453	453	
	h: 584	584	
BUILT-IN VANO INCASSO	a: 415	365	
	b: 405	405	
	c: 548	548	

C130L - C130LA CHR

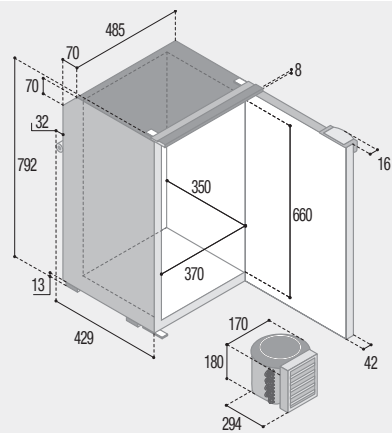
pag. 62



	DOOR	INSIDE	OUTSIDE
MOUNTING FLANGE PROFILO DI FISSAGGIO	t: 25	25	
	w: 588	588	
	h: 804	804	
BUILT-IN VANO INCASSO	a: 560	518	
	b: 540	540	
	c: 768	768	

C95L - C95LA CHR

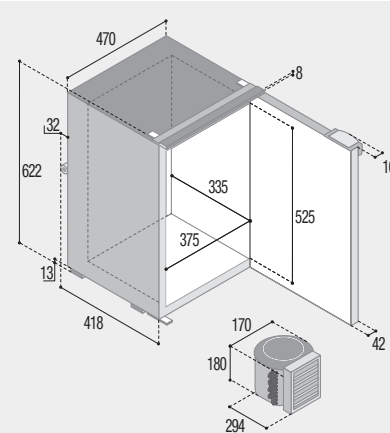
pag. 62



	DOOR	INSIDE	OUTSIDE
MOUNTING FLANGE PROFILO DI FISSAGGIO	t: 25	25	
	w: 548	548	
	h: 829	829	
BUILT-IN VANO INCASSO	a: 466	424	
	b: 500	500	
	c: 793	793	

C75L - C75LA CHR

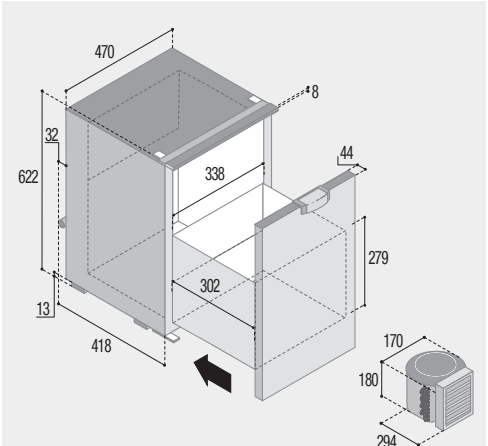
pag. 62



	DOOR	INSIDE	OUTSIDE
MOUNTING FLANGE PROFILO DI FISSAGGIO	t: 25	25	
	w: 533	533	
	h: 659	659	
BUILT-IN VANO INCASSO	a: 456	413	
	b: 485	485	
	c: 623	623	

C75DW CHR

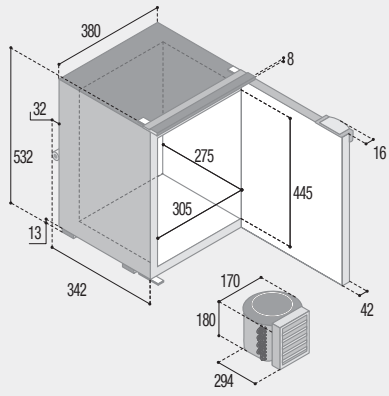
pag. 63



	DOOR	INSIDE	OUTSIDE
MOUNTING FLANGE PROFILO DI FISSAGGIO	t: 25	25	
	w: 533	533	
	h: 659	659	
BUILT-IN VANO INCASSO	a: 456	413	
	b: 485	485	
	c: 623	623	

C42L CHR

pag. 63



DOOR INSIDE OUTSIDE

MOUNTING FLANGE
PROFILO DI FISSAGGIO

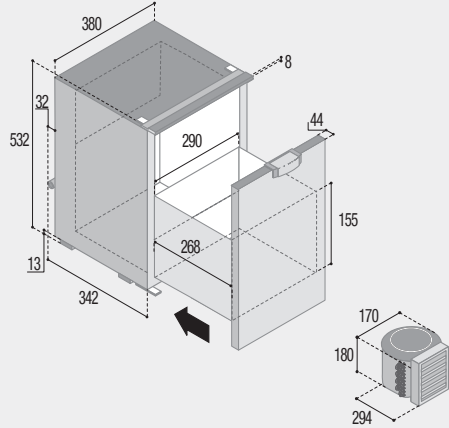
t:	25	25
w:	443	443
h:	569	569

BUILT-IN
VANO INCASSO

a:	379	337
b:	395	395
c:	533	533

C42DW CHR

pag. 63



DOOR INSIDE OUTSIDE

MOUNTING FLANGE
PROFILO DI FISSAGGIO

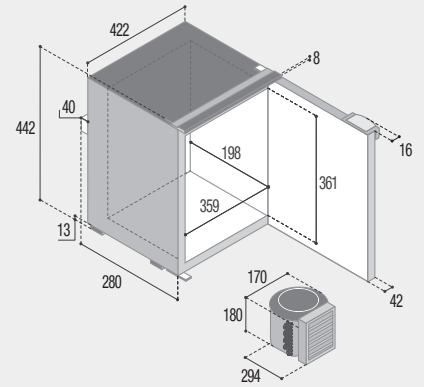
t:	25	25
w:	443	443
h:	569	569

BUILT-IN
VANO INCASSO

a:	379	337
b:	395	395
c:	533	533

C25L CHR

pag. 63



DOOR INSIDE OUTSIDE

MOUNTING FLANGE
PROFILO DI FISSAGGIO

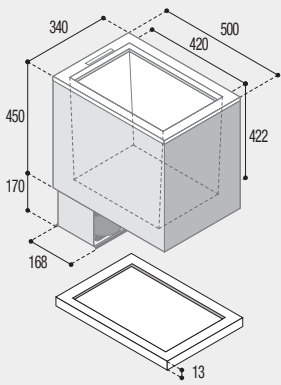
t:	25	25
w:	484	484
h:	454	454

BUILT-IN
VANO INCASSO

a:	322	280
b:	439	439
c:	433	433

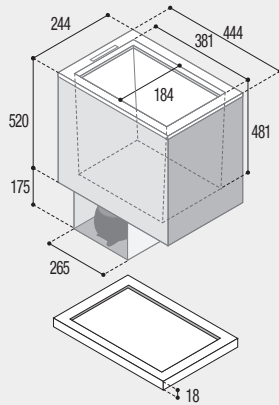
TL43

pag. 69



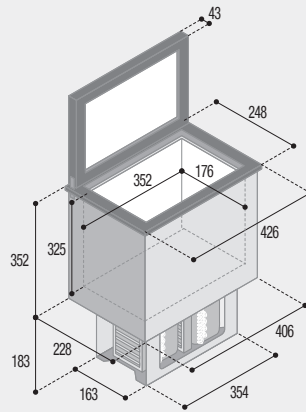
TL35RF

pag. 70



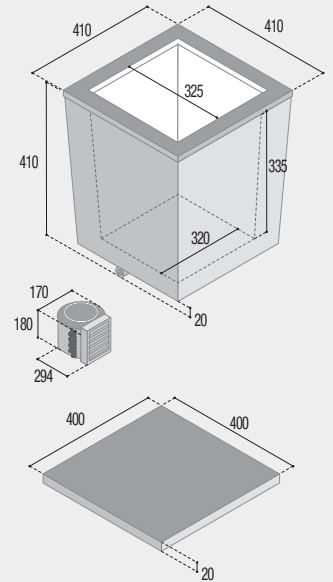
TL20RF

pag. 70



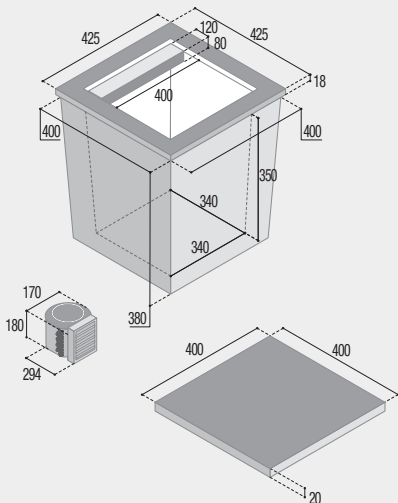
TL37L

pag. 70



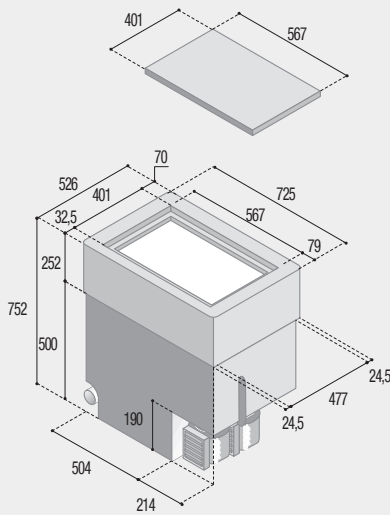
TL40L

pag. 71



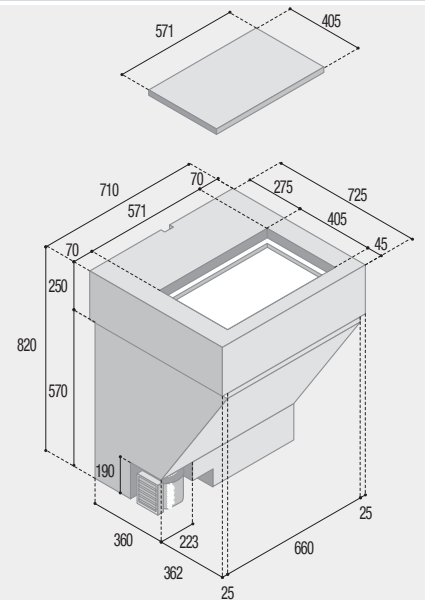
TL160 RF/BT

pag. 71



TL180 RF

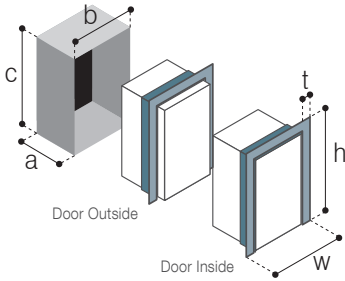
pag. 71



FREEZERS SERIES

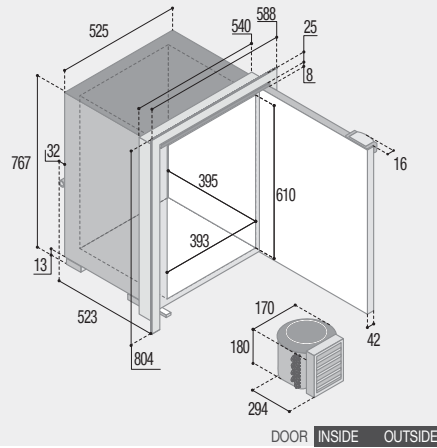
HOME COMFORT SERIES

WINECELLAR SERIES



C110BT CHR

pag. 74



DOOR	INSIDE	OUTSIDE
------	--------	---------

MOUNTING FLANGE
PROFILO DI FISSAGGIO

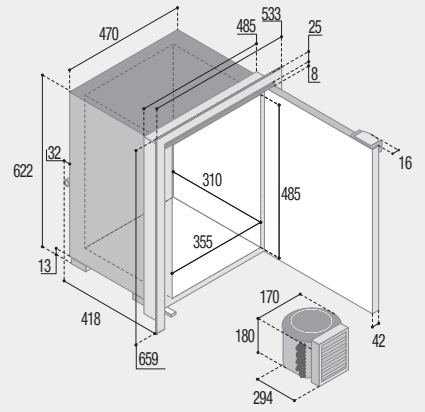
t:	25	25
w:	588	588
h:	804	804

BUILT-IN
VANO INCASSO

a:	560	518
b:	540	540
c:	768	768

C55BT CHR

pag. 74



DOOR	INSIDE	OUTSIDE
------	--------	---------

MOUNTING FLANGE
PROFILO DI FISSAGGIO

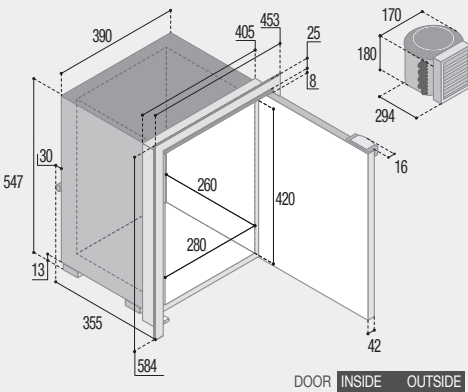
t:	25	25
w:	533	533
h:	659	659

BUILT-IN
VANO INCASSO

a:	455	412
b:	485	485
c:	623	623

C35BT CHR

pag. 75



DOOR	INSIDE	OUTSIDE
------	--------	---------

MOUNTING FLANGE
PROFILO DI FISSAGGIO

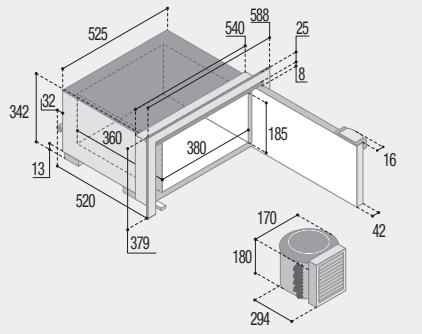
t:	25	25
w:	453	453
h:	584	584

BUILT-IN
VANO INCASSO

a:	392	353
b:	405	405
c:	548	548

C30BT CHR

pag. 75



DOOR	INSIDE	OUTSIDE
------	--------	---------

MOUNTING FLANGE
PROFILO DI FISSAGGIO

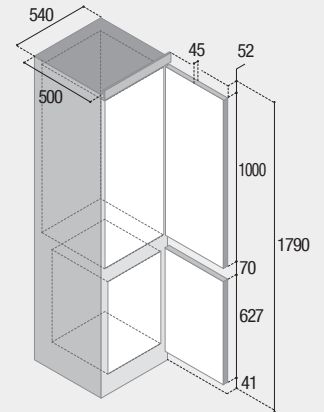
t:	25	25
w:	588	588
h:	379	379

BUILT-IN
VANO INCASSO

a:	557	515
b:	540	540
c:	343	343

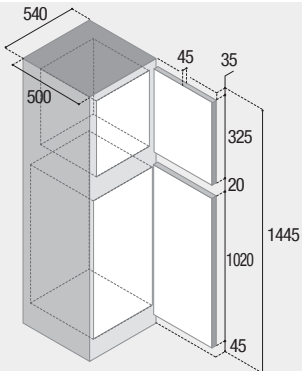
C270DP

pag. 78



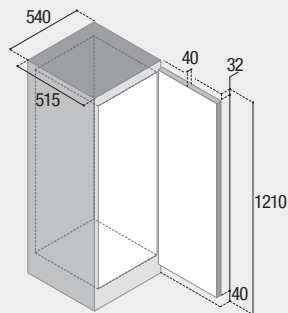
C220DP

pag. 79



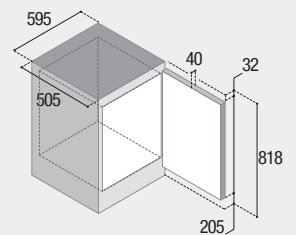
C190MP

pag. 79



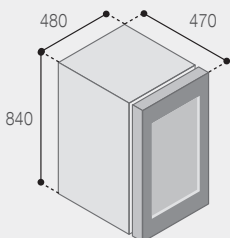
C150MP

pag. 79



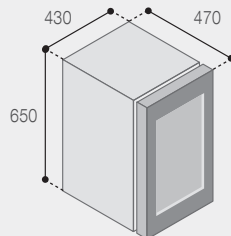
DCW95

pag. 75



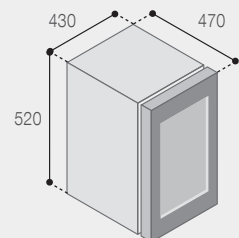
DCW62

pag. 75



DCW46

pag. 75

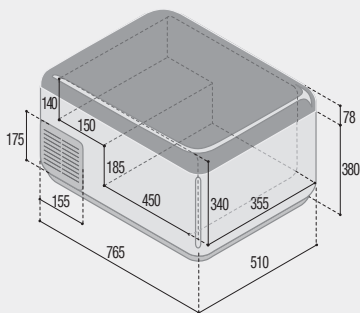


PORTABLE SERIES

VFREE PORTABLE SERIES

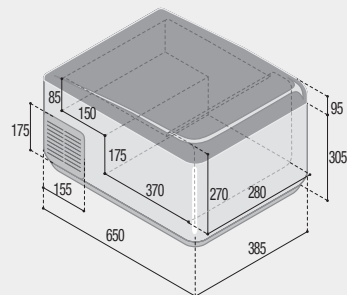
C65L - C65D

pag. 88



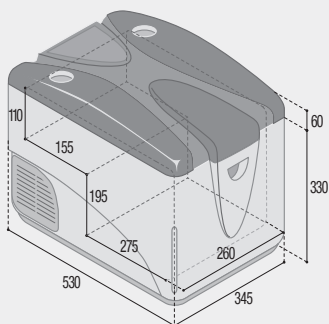
C41L - C41D

pag. 89



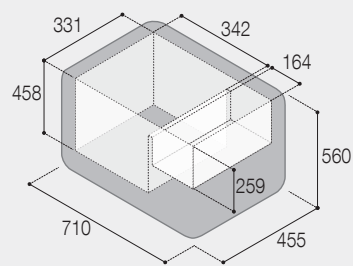
C29M - C29D

pag. 89



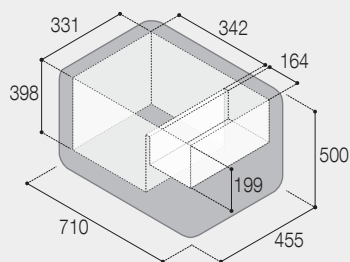
VF65P

pag. 94



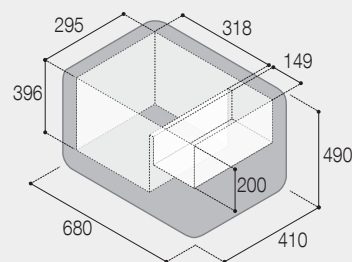
VF55P

pag. 94



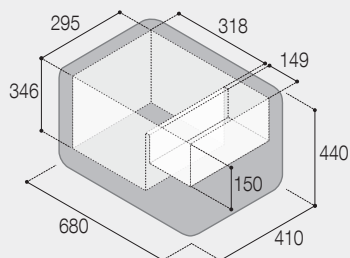
VF45P

pag. 95



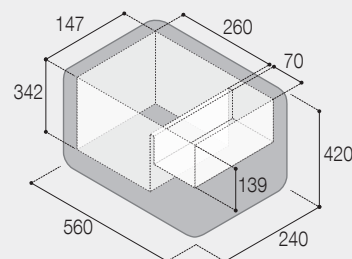
VF35P

pag. 95



VF16P

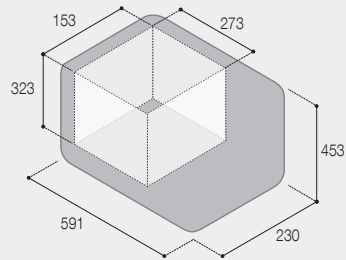
pag. 95



VFREE PLUS PORTABLE SERIES

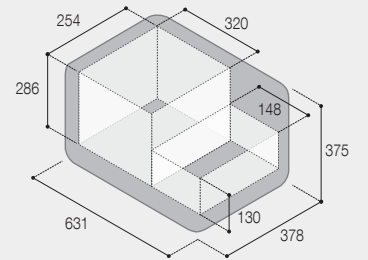
VFC15

pag. 100



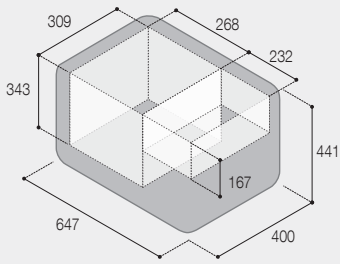
VFT30

pag. 100



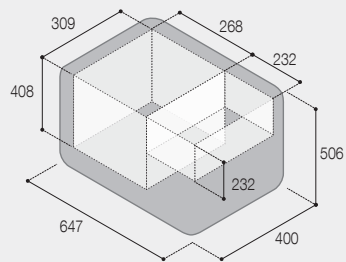
VFP40

pag. 101



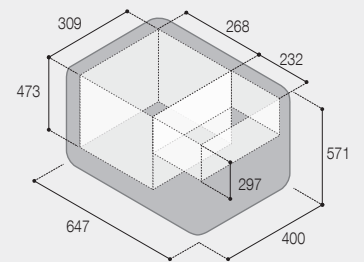
VFP50

pag. 101



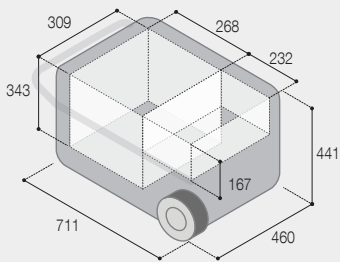
VFP60

pag. 101



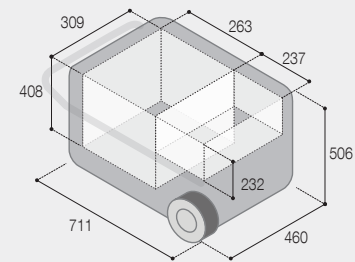
VFT40

pag. 102



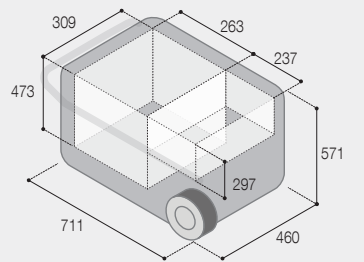
VFT50

pag. 102



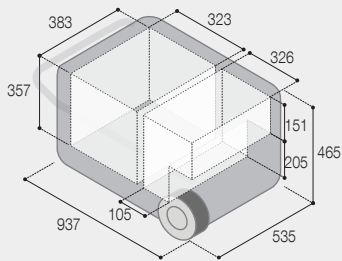
VFT60

pag. 102



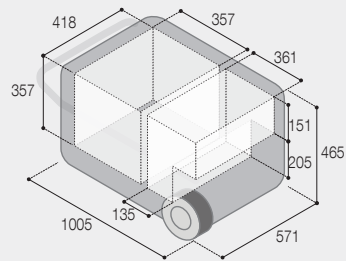
VFD75

pag. 103



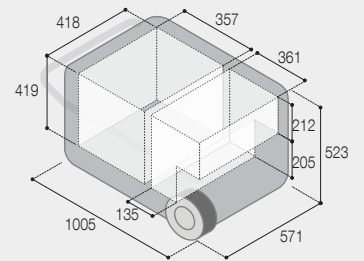
VFD95

pag. 103

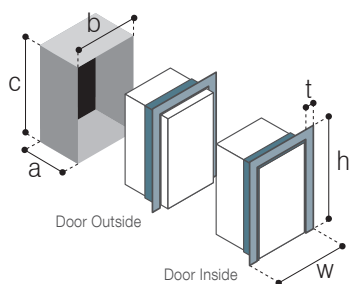


VFD115

pag. 103

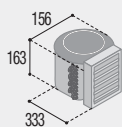
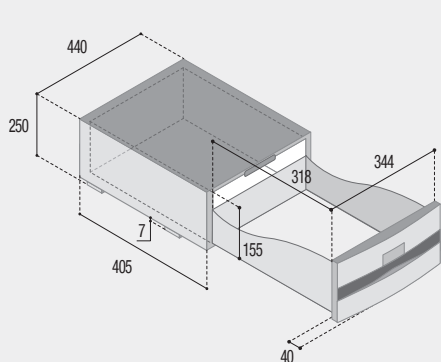


SPECIAL INSTALLATIONS SERIES



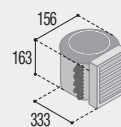
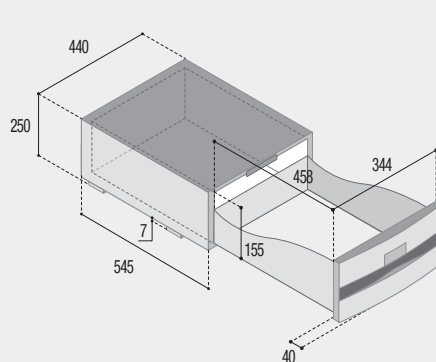
D20A

pag. 109



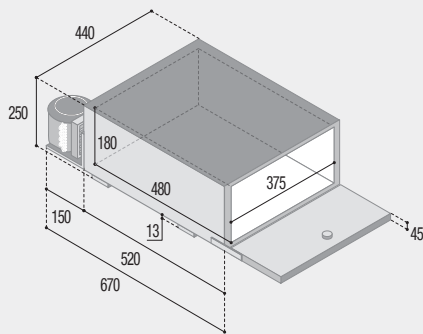
D30A

pag. 109



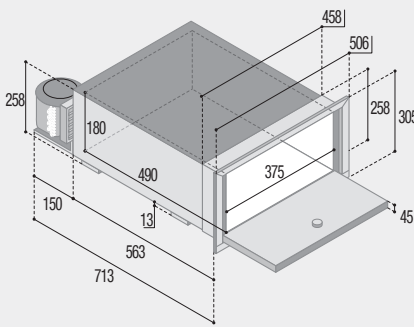
BRK35P

pag. 110



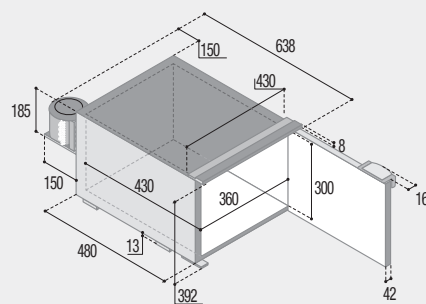
BRK35PX

pag. 111



C47 CHR

pag. 111



	DOOR	INSIDE	OUTSIDE
MOUNTING FLANGE	t:	25	25
PROFILO DI FISSAGGIO	w:	588	588
	h:	379	379
BUILT-IN	a:	676	633
VANO INCASSO	b:	445	445
	c:	393	393

DRW
DW OCX2
DW
RF
BTX
BTX IM
DTX
DTX IM

STAINLESS STEEL DRAWER REFRIGERATORS

ALL IN ONE drawer refrigerators series
OCX2 drawer refrigerators series
drawer refrigerators series
refrigerator version
freezer version
freezer version with internal icemaker
refrigerator-freezer version
refrigerator-freezer version with internal icemaker

C
C OCX2
I
L
A
X
DW
DW OCX2
CFR OCX2

STAINLESS STEEL REFRIGERATORS AND FREEZERS

refrigerators and freezers series with front door opening
OCX2 refrigerators and freezers series with front door opening
internal cooling unit version
external cooling unit version
holding plate evaporator version
stainless steel version
drawer version
OCX2 drawer version series
stainless steel refrigerators and freezers

IM
IM OCX2
XT
XR
CL
HYDRO
REFILL

ICEMAKERS - COMPACT FREEZERS

icemakers series
OCX2 icemakers series
back cooling unit version
external cooling unit version
front cooling unit version
onboard water supply version
internal tank water supply version

C
DP
I
L
A
DW
CHR

REFRIGERATORS AND FREEZERS WITH BUILT-IN/REMOTE UNIT

refrigerators and freezers series with front door opening
double door refrigerator version
internal cooling unit version
external cooling unit version
holding plate evaporator version
drawer version
Chromelock series

TL
L
A
RF
BT

TOP LOADING REFRIGERATORS

top loading refrigerators series
external cooling unit
holding plate evaporator version
refrigerators version
freezer version

C
BT
CHR

FREEZERS

freezers series with front door opening
freezer version
Chromelock series

C
DP
MP

WHITE REFRIGERATORS-FREEZERS

refrigerators and freezers series with front door opening
double door refrigerator version
single door refrigerator version

DCW

WINE CELLARS

wine cellar series

C
L
D
M
P
PX
CHR

PORTABLE AND SPECIAL INSTALLATION REFRIGERATORS

refrigerators and freezers series with front door opening
LED thermostat version
digital thermostat version
mechanical thermostat version
BRK35 version with PUSH-PULL lock
stainless steel BRK35 version with PUSH-PULL lock
Chromelock series

FRIGO A CASSETTO IN ACCIAIO INOX

serie frigo a cassetto ALL IN ONE
serie OCX2 frigo a cassetto
serie frigo a cassetto
versione frigo
versione congelatore
versione congelatore con icemaker interno
versione frigo-congelatore
versione frigo-congelatore con icemaker interno

FRIGORIFERI E FREEZER IN ACCIAIO INOX

serie frigoriferi e freezer con apertura frontale
serie frigoriferi e freezer con apertura frontale serie OCX2
versione con unità refrigerante interna
versione con unità refrigerante esterna
versione con evaporatore ad accumulo di freddo
versione in acciaio inox
versione a cassetto
versione a cassetto serie OCX2
frigoriferi e congelatori in acciaio inox

FABBRICATORI DI GHIACCIO - FREEZER COMPATTI

serie fabbricatori di ghiaccio
fabbricatori di ghiaccio serie OCX2
versione con unità refrigerante posteriore
versione con unità refrigerante esterna
versione con unità refrigerante frontale
versione con alimentazione idrica di bordo
versione con alimentazione idrica mediante serbatoio interno

FRIGORIFERI E FREEZER CON UNITA' ESTERNA/INTERNA

serie frigoriferi e freezer con apertura frontale
versione frigo con doppia porta
versione con unità refrigerante interna
versione con unità refrigerante esterna
versione con evaporatore ad accumulo di freddo
versione a cassetto
serie Chromelock

FRIGORIFERI A POZZETTO

serie frigoriferi a pozzetto
unità refrigerante esterna
versione con evaporatore ad accumulo di freddo
versione frigorifero
versione congelatore

CONGELATORI

serie congelatori con apertura frontale
versione congelatore
serie Chromelock

FRIGORIFERI-FREEZER BIANCHI

serie frigoriferi e freezer con apertura frontale
versione frigo con doppia porta
versione frigo con singola porta

CANTINETTE

serie cantinette

FRIGORIFERI PORTATILI E PER INSTALLAZIONI SPECIALI

serie frigoriferi e freezer con apertura frontale
versione con termostato a LED
versione con termostato digitale
versione con termostato meccanico
versione BRK35 con nuova chiusura PUSH-PULL
versione BRK35 in acciaio inox con nuova chiusura PUSH-PULL
serie Chromelock

Vitrifigo reserves the right to make any changes it deems fit for technical or business purposes at any time and with no prior warning.

Vitrifigo si riserva il diritto di inserire in qualsiasi momento, e senza obbligo di preavviso, tutte le modifiche considerate opportune per ragioni tecniche o commerciali.

OVERSEAS

DOWNLOAD NOW THE LATEST RELEASE OF OVERSEAS CATALOGUE



STAY TUNED

VITRIFRIGO

COOL AND BEYOND



VITRI ALCESTE GROUP

Vitrifrigo S.r.l.

Vallefoglia (PU) - Italy

www.vitrifrigo.com

